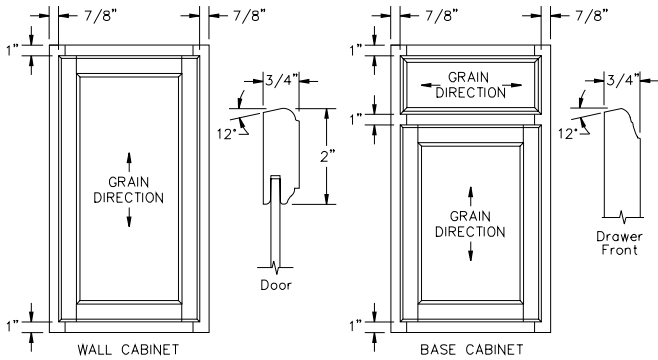


TABLE OF CONTENTS

	PAGE
Door Styles and Finishes	3 - 4
Finish Availability Chart.....	5
Wall Cabinets.....	6 - 12
Bookcases.....	13
Base Cabinets	14 - 17
Universal Cabinets	18 - 19
Tall Cabinets.....	19 - 20
Vanity Cabinets	21 - 24
DeNova Beginnings® Vanity Tops	24 - 25
Moldings/Panels/Accessories	26 - 32
Decorative Hardware.....	33
Repair and Replacement Parts	34
Traditional Overlay Prep for Insert Doors	35
Traditional Overlay —	
Mullion and Door Conversion Chart	35
Full Overlay Prep for Insert Doors.....	35
Full Overlay Prep for Insert Doors —	
Mullion Door Conversion Chart.....	35
Cabinet Specification Details	36
Product Advisories.....	37 - 38
Modifications	39
One-Year Warranty	40
DeNova Beginnings® Vanity Tops Warranty.....	41
Index.....	42

AX2.MP.B. BTNON .N.NNNN.SSS. S .C.B15LHDS
 (Door Style . Specie . Shape) (Color & Glaze) (Drawer Front)

WHITE OAK DOOR STYLES
SEACREST2 (SE2.WO.S)



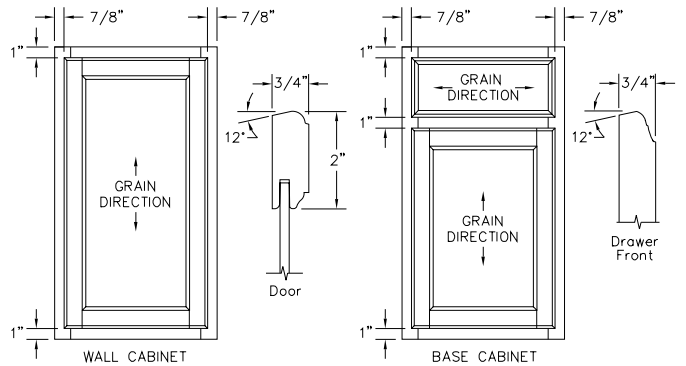
AVAILABLE FINISHES:

Eventide (EVNON)
 Sunrise (SRNON)

DRAWER FRONT OPTION: Solid (S)

- Traditional overlay
- 3/4" solid hardwood frame
- 2" stiles and rails
- 3/16" recessed center panel is veneer applied to an engineered wood core
- Mortise and Tenon construction
- Door and drawer front have a horizontal reverse bevels
- Decorative hardware not required
- Natural maple laminate interior, shelves and drawers

BIRCH DOOR STYLES
SEACREST2 (SE2.BR.S)



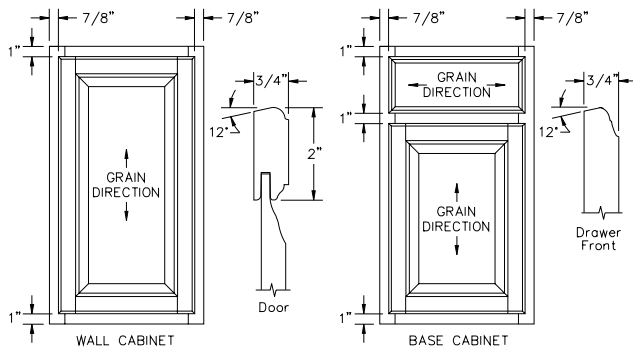
AVAILABLE FINISHES:

Cinnamon (CINON) Dawn/Mocha (DAMCH)
 Cinnamon/Licorice (CILCH) Mirage (MRNON)
 Clove (CLNON) Mirage/Mocha (MRMCH)
 Clove/Licorice (CLLCH) Twilight (TWNON)
 Dawn (DANON)

DRAWER FRONT OPTION: Solid (S)

- Traditional overlay
- 3/4" solid hardwood frame
- 2" stiles and rails
- 3/16" recessed center panel is veneer applied to an engineered wood core
- Mortise and Tenon construction
- Door and drawer front have a horizontal reverse bevels
- Decorative hardware not required
- Natural maple laminate interior, shelves and drawers

HARBORVIEW2 (HV2.WO.S)



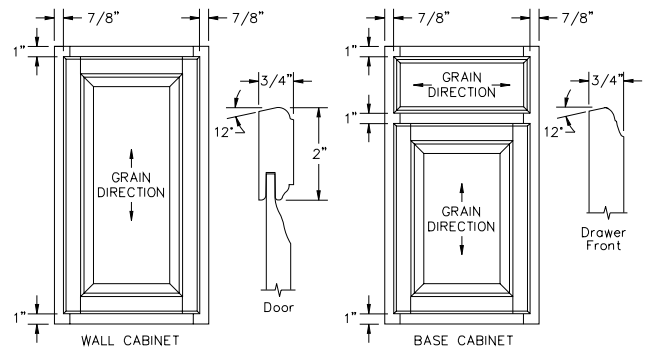
AVAILABLE FINISHES:

Eventide (EVNON)
 Sunrise (SRNON)

DRAWER FRONT OPTION: Solid (S)

- Traditional overlay
- 3/4" solid hardwood frame
- 2" stiles and rails
- 1/2" raised center panel is veneer applied to an engineered wood core
- Mortise and Tenon construction
- Door and drawer front have a horizontal reverse bevels
- Decorative hardware not required
- Natural maple laminate interior, shelves and drawers

HARBORVIEW2 (HV2.BR.S)



AVAILABLE FINISHES:

Cinnamon (CINON) Dawn/Mocha (DAMCH)
 Cinnamon/Licorice (CILCH) Mirage (MRNON)
 Clove (CLNON) Mirage/Mocha (MRMCH)
 Clove/Licorice (CLLCH) Twilight (TWNON)
 Dawn (DANON)

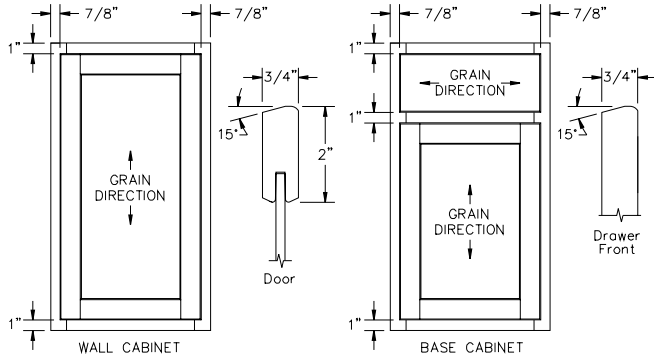
DRAWER FRONT OPTION: Solid (S)

- Traditional overlay
- 3/4" solid hardwood frame
- 2" stiles and rails
- 1/2" raised center panel is veneer applied to an engineered wood core
- Mortise and Tenon construction
- Door and drawer front have a horizontal reverse bevels
- Decorative hardware not required
- Natural maple laminate interior, shelves and drawers

AX2.MP.B.BTNON .N.NNNN.SSS. **S** .C.B15LHDS
 (Door Style . Specie . Shape) (Color & Glaze) (Drawer Front)

BIRCH DOOR STYLES

DERBY (DBY.BR.S)



AVAILABLE FINISHES:

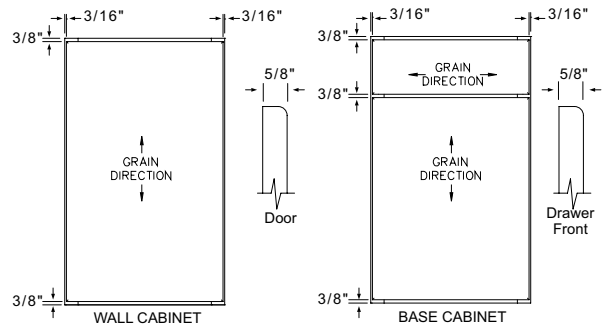
- Cinnamon (CINON)
- Clove (CLNON)
- Dawn (DANON)
- Mirage (MRNON)
- Twilight (TWNON)

DRAWER FRONT OPTION: Solid (S)

- Traditional overlay
- 3/4" solid hardwood frame
- 2" stiles and rails
- 3/16" recessed center panel is veneer applied to an engineered wood core
- Mortise and Tenon construction
- Door and drawer front have a horizontal reverse bevels
- Decorative hardware not required
- Natural maple laminate interior, shelves and drawers

MAPLE AND LAMINATE DOOR STYLES

BROOKPORT (BRP.MP.B) and (BRP.TH.B)



AVAILABLE FINISH:

- Café (CFNON)
- Dulce (DLNON)
- Natural (NANON)
- Starlight (SLNON)*

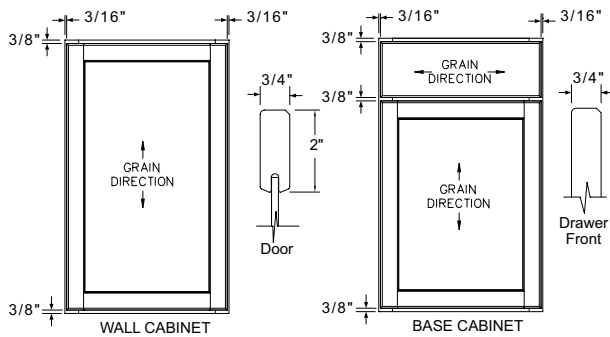
DRAWER FRONT OPTION: Solid (S)

- Full overlay with 6-way hinges
- 3/4" solid hardwood frame
- 5/8" thick MDF; face and edges have maple grain Thermofoil, except Starlight which is a solid color
- Back is solid color thermofused melamine
- 3/16" radius on front edges
- Decorative hardware required
- Natural maple laminate interior, shelves and drawers, except Starlight
- * Starlight (white) laminate interior and shelves; natural maple laminate drawers

Gray color coding indicates new product, size or code.

MAPLE DOOR STYLES

KITTERY (KTY.MP.S)



AVAILABLE FINISH:

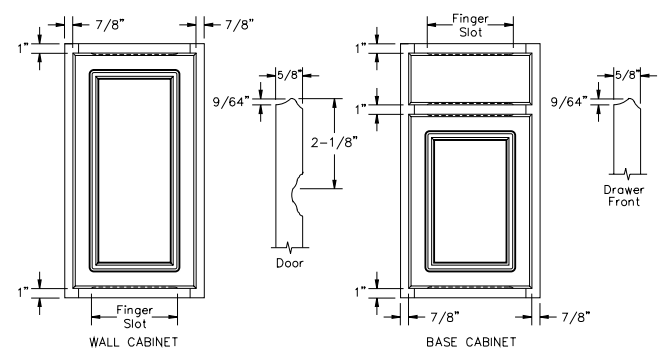
- Café (CFNON)
- Dulce (DLNON)
- Natural (NANON)

DRAWER FRONT OPTION: Solid (S)

- Full overlay with 6-way hinge
 - 3/4" solid hardwood frame
 - 2" stiles and rails
 - 5/32" recessed center panel is veneer with hardwood veneer back applied to engineered wood core
 - Mortise and Tenon construction
 - Decorative hardware required
 - Natural maple laminate interior, shelves and drawer
- Gray color coding indicates new product, size or code.*

LAMINATE DOOR STYLES

GENEVA2 (GV2.TH.S)



AVAILABLE FINISH:
 Starlight (SLNON)

- Drawer front option: Solid (S)
- Traditional overlay
 - Machined from 5/8" solid MDF. Face and edges have solid color rigid thermofoil. Back is thermofused melamine.
 - Raised center panel look
 - Door has machined finger slots on the top and bottom
 - Drawer front has machined finger slots on the top and bottom
 - Decorative hardware not required
 - Starlight (white) laminate interior and shelves; natural maple laminate drawers

FINISH AVAILABILITY CHART

Door Style	Café	Cinnamon	Cinnamon Licorice	Clove	Clove Licorice	Dawn	Dawn Mocha	Dulce	Eventide	Mirage	Mirage Mocha	Natural	Starlight	Sunrise	Twilight
Brookport (BRP) Laminate BRP.TH.B.S													SLNON		
Brookport (BRP) Maple BRP.MP.B.S	CFNON							DLNON				NANON			
Derby (DBY) Birch DBY.BR.S.S		CINON		CLNON		DANON				MRNON					TWNON
Geneva2 (GV2) Laminate GV2.TH.S.S													SLNON		
Harborview2 (HV2) Birch HV2.BR.S.S		CINON	CILCH	CLNON	CLLCH	DANON	DAMCH			MRNON	MRMCH				TWNON
Harborview2 (HV2) White Oak HV2.WO.S.S									EVNON					SRNON	
Kittery (KTY) Maple KTY.MP.S.S	CFNON							DLNON				NANON			
Seacrest2 (SE2) Birch SE2.BR.S.S		CINON	CILCH	CLNON	CLLCH	DANON	DAMCH			MRNON	MRMCH				TWNON
Seacrest2 (SE2) White Oak SE2.WO.S.S									EVNON					SRNON	

Finish codes shown in **bold type** are available at a premium upcharge

WALL CABINETS (12" DEEP)

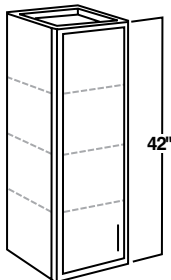
All single door wall cabinets are invertible for L or R hinging.

SINGLE DOOR (42" HIGH)

See Price Book page 1.

- W942 L or R
- W1242 L or R
- W1542 L or R
- W1842 L or R
- W2142 L or R
- W2442 L or R

- One door
- Three adjustable shelves
- Specify L or R hinging



BLIND CORNER — SINGLE DOOR (42" HIGH)

See Price Book page 1.

- WBC24/2742 BL or BR
- WBC30/3342 BL or BR
- WBC36/3942 BL or BR

- See installation example on page 9
- Specify blind left (BL) or blind right (BR)
- Invertible for L or R blind corner
- One door
- Three adjustable shelves
- Order blind panel with 3" filler WBPF3-42 separately

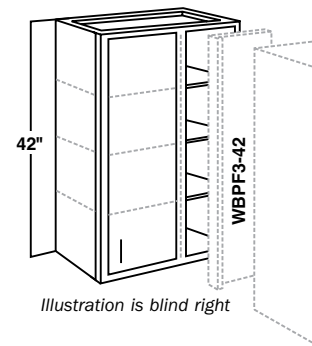
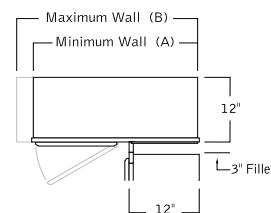


Illustration is blind right

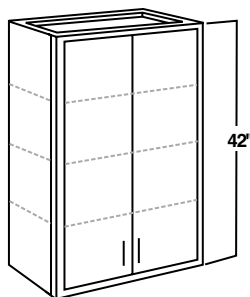


BUTT DOORS (42" HIGH)

See Price Book page 1.

- W2742B
- W3042B

- Butt doors
- No center mullion
- Three adjustable shelves



BLIND CORNER — BUTT DOORS (42" HIGH)

See Price Book page 1.

- WBC39/4242B BL or BR
- WBC42/4542B BL or BR

- See installation example on page 9
- Specify blind left (BL) or blind right (BR)
- Invertible for L or R blind corner
- Butt doors
- No center mullion
- Three adjustable shelves
- Order blind panel with 3" filler WBPF3-42 separately

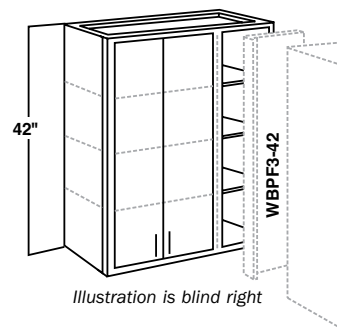
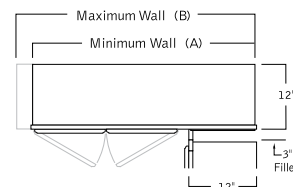


Illustration is blind right

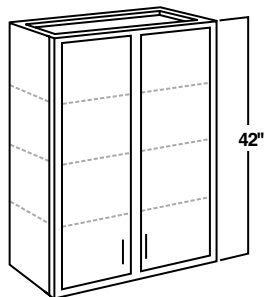


DOUBLE DOOR (42" HIGH)

See Price Book page 1.

- W3342
- W3642
- W3942
- W4242

- Two doors
- Three adjustable shelves

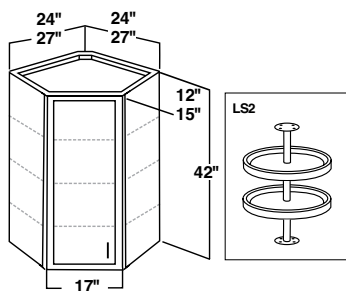


WALL ANGLE (42" HIGH)

See Price Book page 1.

- 12" deep
WA2442 L or R
- 15" deep
WA2742 L or R

- One door
- Three adjustable shelves
- Leave top shelf in cabinet when installing LS2
- Not available in special depths
- Specify L or R hinging
- Note: Two revolving shelves available in kit form (LS2 - Must order separately)



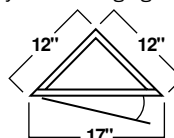
REVOLVING LAZY SUSAN SHELF KIT (LS2)
Order separately

WALL CORNER ANGLE (42" HIGH)

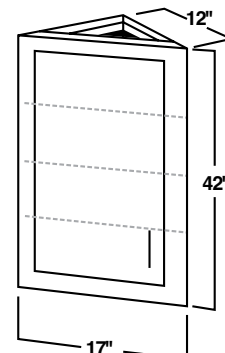
See Price Book page 1.

- WCA 1242 L or R

- One door
- Three adjustable shelves
- Not available in special depths
- Specify L or R hinging



Top View



CAUTION INSTALLER: Wall Angle cabinets require additional support. They should be screwed on both sides to adjacent cabinets, soffit or ceiling joist.

CAUTION INSTALLER: Do not install wall cabinet by itself. Additional support is required, such as attachment to a soffit. See cabinet installation guide for specific instructions.

WALL CABINETS (12" DEEP)

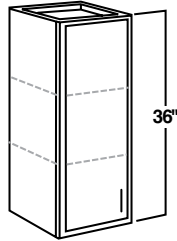
All single door wall cabinets are invertible for L or R hinging.

SINGLE DOOR (36" HIGH)

See Price Book page 1.

W936 L or R
W1236 L or R
W1536 L or R
W1836 L or R
W2136 L or R
W2436 L or R

- One door
- Two adjustable shelves
- Specify L or R hinging

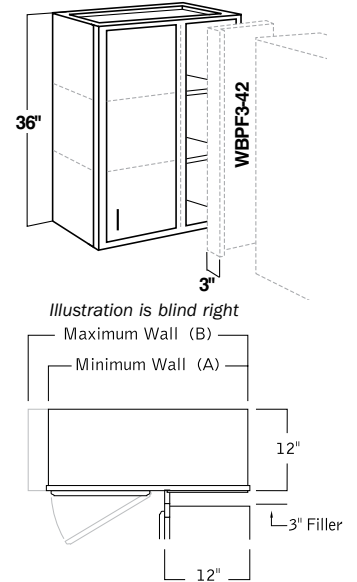


BLIND CORNER — SINGLE DOOR (36" HIGH)

See Price Book page 2.

WBC24/2736 BL or BR
WBC30/3336 BL or BR
WBC36/3936 BL or BR

- See installation example on page 9
- Specify blind left (BL) or blind right (BR)
- Invertible for L or R blind corner
- One door
- Two adjustable shelves
- Order blind panel with 3" filler WBPFF3-42 separately

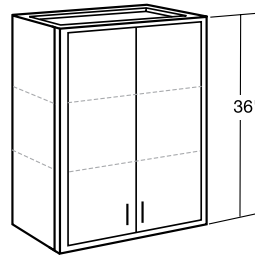


BUTT DOORS (36" HIGH)

See Price Book page 2.

W2736B
W3036B

- Butt doors
- No center mullion
- Two adjustable shelves

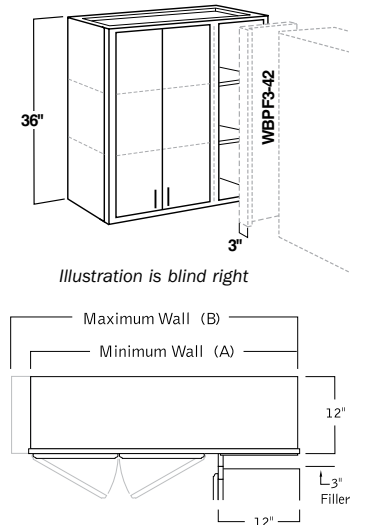


BLIND CORNER — BUTT DOORS (36" HIGH)

See Price Book page 2.

WBC39/4236B BL or BR
WBC42/4536B BL or BR

- See installation example on page 9
- Specify blind left (BL) or blind right (BR)
- Invertible for L or R blind corner
- Butt doors
- No center mullion
- Two adjustable shelves
- Order blind panel with 3" filler WBPFF3-42 separately

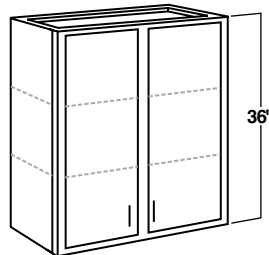


DOUBLE DOOR (36" HIGH)

See Price Book page 2.

W3336
W3636
W3936
W4236

- Two doors
- Two adjustable shelves



WALL ANGLE (36" HIGH)

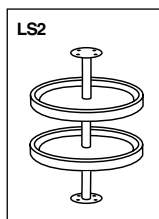
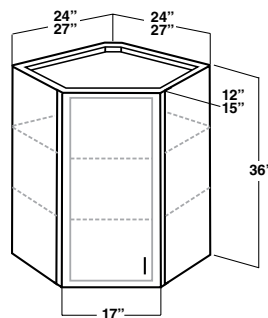
See Price Book page 2.

12" deep
WA2436 L or R

15" deep
WA2736 L or R

- One door
- Two adjustable shelves
- Leave top shelf in cabinet when installing LS2
- Not available in special depths
- Specify L or R hinging
- **Note:** Two revolving shelves available in kit form (LS2 - Must order separately)

REVOLVING LAZY SUSAN
SHELF KIT (LS2)
Order separately

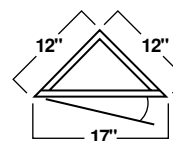


WALL CORNER ANGLE (36" HIGH)

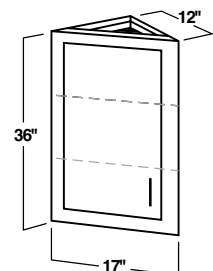
See Price Book page 2.

WCA1236 L or R

- One door
- Two adjustable shelves
- Not available in special depths
- Specify L or R hinging



Top View



CAUTION INSTALLER: Wall Angle cabinets require additional support. They should be screwed on both sides to adjacent cabinets, soffit or ceiling joist.

CAUTION INSTALLER: Do not install wall cabinet by itself. Additional support is required, such as attachment to a soffit. See cabinet installation guide for specific instructions.

WALL CABINETS (12" DEEP)

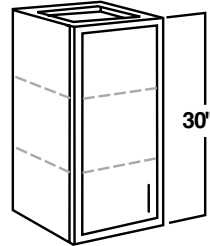
All single door wall cabinets are invertible for L or R hinging.

SINGLE DOOR (30" HIGH)

See Price Book page 2.

- W930 L or R
- W1230 L or R
- W1530 L or R
- W1830 L or R
- W2130 L or R
- W2430 L or R

- One door
- Two adjustable shelves
- Specify L or R hinging

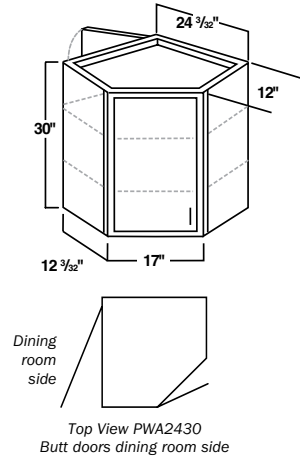


PENINSULA WALL ANGLE (30" HIGH)

See Price Book page 3.

- PWA2430 L or R

- Two doors, one each side
- Two adjustable shelves
- Not available in special depths
- Specify L or R hinging
- Invertible for L or R hand application
- **Note:** Two revolving shelves available in kit form (LS2 - Must order separately)

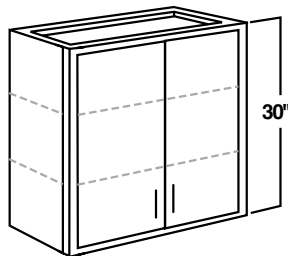


BUTT DOORS (30" HIGH)

See Price Book page 2.

- W2430B
- W2730B
- W3030B

- Butt doors
- No center mullion
- Two adjustable shelves



WARNING: Peninsula Wall Cabinets require support every 16" of cabinet width on both faces of the cabinet. Use #10 or larger screws. Screws should penetrate 1-1/2" minimum into solid wood (ceiling joist or soffit frame)

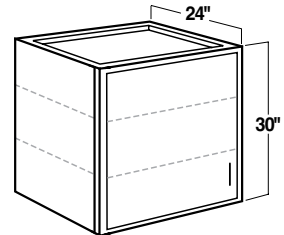
CAUTION INSTALLER: Corner diagonal wall cabinets require additional support. They should be screwed on both sides to adjacent cabinets, soffit or ceiling joist.

WALL REFRIGERATOR — 24" DEEP — SINGLE DOOR (30" HIGH)

See Price Book page 3.

- WR1830 L or R
- WR2430 L or R

- One door
- Two adjustable shelves
- Not available in special depths
- Specify L or R hinging



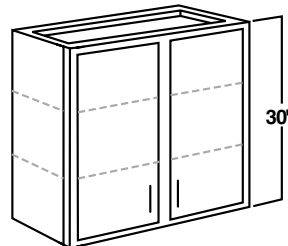
CAUTION INSTALLER: 24" deep wall cabinets require additional support. They should be screwed on both sides to adjacent cabinets, soffit or ceiling joist.

DOUBLE DOOR (30" HIGH)

See Price Book page 3.

- W3330
- W3630
- W3930
- W4230
- W4530
- W4830

- Two doors
- Two adjustable shelves



BLIND CORNER — SINGLE DOOR (30" HIGH)

See Price Book page 3.

- WBC24/2730 BL or BR
- WBC30/3330 BL or BR
- WBC33/3630 BL or BR
- WBC36/3930 BL or BR

- See installation example on page 9
- Specify blind left (BL) or blind right (BR)
- Invertible for L or R blind corner
- One door
- Two adjustable shelves
- Invertible for L or R blind corner
- Order blind panel with 3" filler WBPF3-30 separately

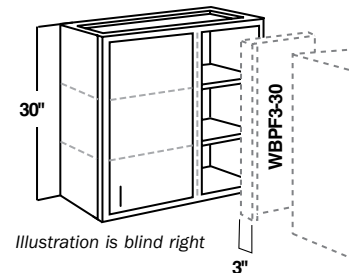
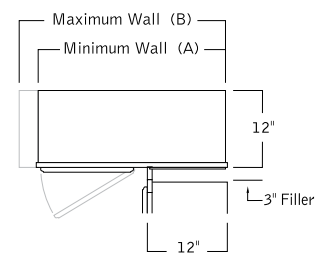


Illustration is blind right



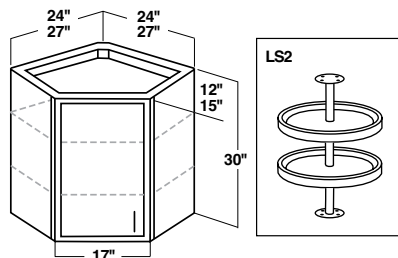
WALL ANGLE (30" HIGH)

See Price Book page 3.

- 12" deep
- WA2430 L or R

- 15" deep
- WA2730 L or R

- One door
- Two adjustable shelves
- Not available in special depths
- Specify L or R hinging
- **Note:** Two revolving shelves available in kit form (LS2 - Must order separately)



REVOLVING LAZY SUSAN SHELF KIT (LS2) Order separately

CAUTION INSTALLER: Wall Angle cabinets require additional support. They should be screwed on both sides to adjacent cabinets, soffit or ceiling joist.

	(A)	(B)
WBC24/2730-	24"	26 ⁷ / ₈ "
WBC30/3330-	30"	32 ⁷ / ₈ "
WBC33/3630-	33"	35 ⁷ / ₈ "
WBC36/3930-	36"	38 ⁷ / ₈ "

WALL CABINETS (12" DEEP)

All single door wall cabinets are invertible for L or R hinging.

BLIND CORNER — BUTT DOORS AND DOUBLE DOOR (30" HIGH)

See Price Book page 3.

WBC39/4230B BL or BR
WBC42/4530B BL or BR
WBC48/5130 BL or BR

- See installation example below
- Specify blind left (BL) or blind right (BR)
- Invertible for L or R blind corner
- Butt doors on WBC39/4230B and WBC42/4530B cabinets
- No center mullion on butt door cabinets
- Two adjustable shelves
- Order blind panel with 3" filler WBPF3-30 separately

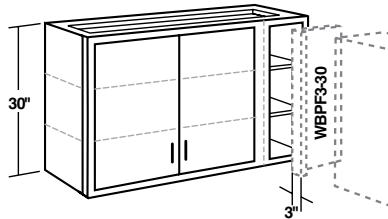
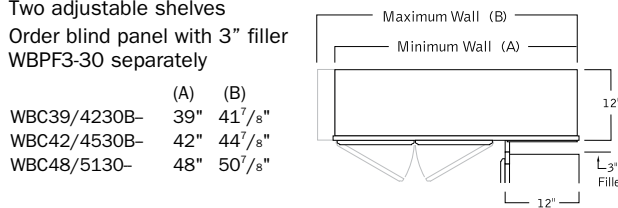


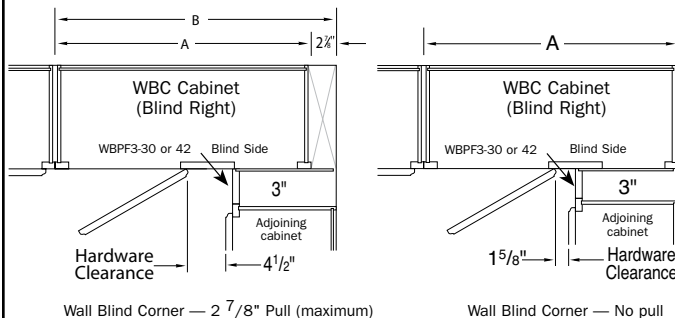
Illustration is blind right



INSTALLATION EXAMPLE WALL BLIND CORNER CABINET

Wall blind corner cabinets provide access to the corner space and permit adjustability of up to 2-7/8" to aid in the kitchen cabinet layout. The blind side corner (area of cabinet hidden by the end of the adjoining cabinet) may be changed from right hand to left hand by inverting the cabinet. "Pulling" the cabinet away from the corner and using the separately ordered WBPF3-30 or 42 panel/filler assembly provides clearance for opening doors when decorative hardware (pull/knobs) is used.

Wall Blind Corner	Actual Cabinet Width	Cabinet Height	(A) No Pull	(B) 2-7/8" Pull
WBC24/27	24"	30", 36", 42"	24"	26 ⁷ / ₈ "
WBC30/33	30"	30", 36", 42"	30"	32 ⁷ / ₈ "
WBC33/36	33"	30"	33"	35 ⁷ / ₈ "
WBC36/39	36"	30", 36", 42"	36"	38 ⁷ / ₈ "
WBC39/42	39"	30", 36", 42"	39"	41 ⁷ / ₈ "
WBC42/45	42"	30", 36", 42"	42"	44 ⁷ / ₈ "
WBC48/51	48"	30"	48"	50 ⁷ / ₈ "



Wall Blind Corner — 2-7/8" Pull (maximum)

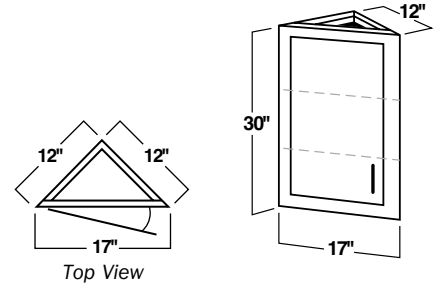
Wall Blind Corner — No pull

WALL CORNER ANGLE (30" HIGH)

See Price Book page 3.

WCA1230 L or R

- One door
- Two adjustable shelves
- Not available in special depths
- Specify L or R hinging



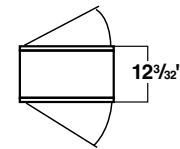
Top View

PENINSULA WALL — SINGLE DOOR (30" HIGH)

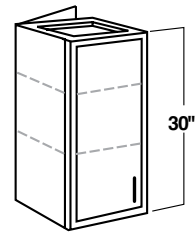
See Price Book page 3.

PW1830
PW2130
PW2430

- 12-3/32" deep (excluding doors)
- Two doors, one door each side
- Two adjustable shelves
- Not available in special depths



Top View



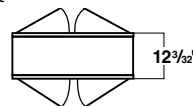
WARNING: Peninsula Wall Cabinets require support every 16" of cabinet width on both faces of the cabinet. Use #10 or larger screws. Screws should penetrate 1-1/2" minimum into solid wood (ceiling joist or soffit frame)

PENINSULA WALL — BUTT DOORS (30" HIGH)

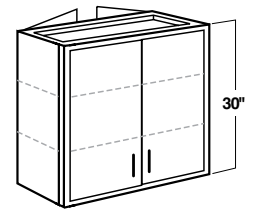
See Price Book page 3.

PW3030B

- 12-3/32" deep (excluding doors)
- Four Doors, two butt doors on each side
- No center mullion
- Two adjustable shelves
- Not available in special depths



Top View



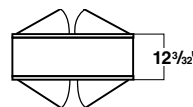
WARNING: Peninsula Wall Cabinets require support every 16" of cabinet width on both faces of the cabinet. Use #10 or larger screws. Screws should penetrate 1-1/2" minimum into solid wood (ceiling joist or soffit frame)

PENINSULA WALL — DOUBLE DOOR (30" HIGH)

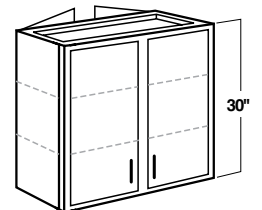
See Price Book page 4.

PW3630
PW4230

- 12-3/32" deep (excluding doors)
- Four doors, two each side
- Two adjustable shelves
- Not available in special depths



Top View



WARNING: Peninsula Wall Cabinets require support every 16" of cabinet width on both faces of the cabinet. Use #10 or larger screws. Screws should penetrate 1-1/2" minimum into solid wood (ceiling joist or soffit frame)



CAUTION INSTALLER: Do not install wall cabinet by itself. Additional support is required, such as attachment to a soffit. See cabinet installation guide for specific instructions.

WALL CABINETS (12" DEEP)

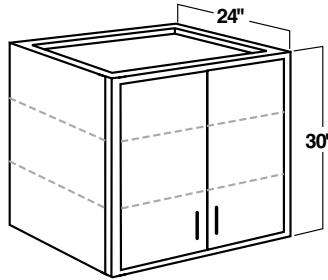
All single door wall cabinets are invertible for L or R hinging.

WALL REFRIGERATOR — 24" DEEP — BUTT DOORS (30" HIGH)

See Price Book page 4.

WR2730B
WR3030B

- Butt doors
- No center mullion
- Two adjustable shelves
- Not available in special depths



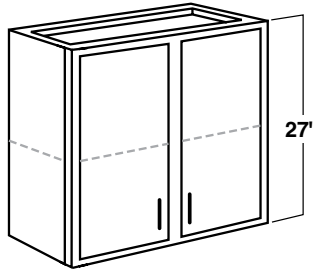
CAUTION INSTALLER: 24" deep wall cabinets require additional support. They should be screwed on both sides to adjacent cabinets, soffit or ceiling joist.

BUTT DOORS AND DOUBLE DOOR (27" HIGH)

See Price Book page 4.

W3027B*
W3627

- Two doors
- One adjustable shelf
- * Butt doors, no center mullion

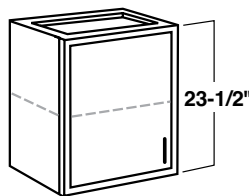


SINGLE DOOR (23-1/2" HIGH)

See Price Book page 4.

W1824 L or R
W2124 L or R
W2424 L or R

- One door
- One adjustable shelf
- Specify L or R hinging

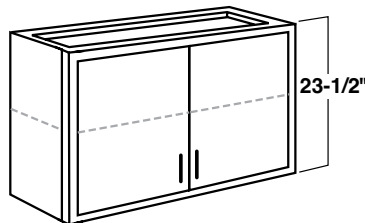


BUTT DOORS (23-1/2" HIGH)

See Price Book page 4.

W3024B

- Butt doors
- No center mullion
- One adjustable shelf

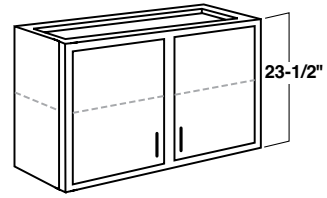


DOUBLE DOOR (23 1/2" HIGH)

See Price Book page 4.

W3324
W3624
W3924
W4224

- Two doors
- One adjustable shelf

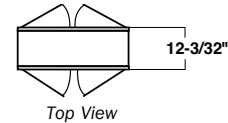
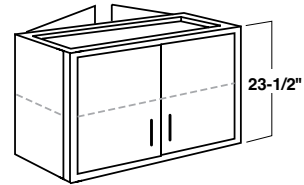


PENINSULA WALL — BUTT DOORS (23 1/2" HIGH)

See Price Book page 4.

PW3024B

- 12-3/32" deep (excluding doors)
- Four doors, two butt doors on each side
- No center mullion
- One adjustable shelf
- Not available in special depths



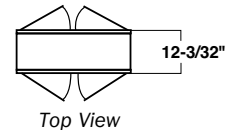
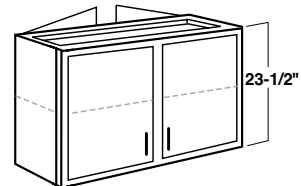
WARNING: Peninsula Wall Cabinets require support every 16" of cabinet width on both faces of the cabinet. Use #10 or larger truss/pan head screws. Screws should penetrate 1-1/2" minimum into solid wood (ceiling joist or soffit frame)

PENINSULA WALL — DOUBLE DOOR (23-1/2" HIGH)

See Price Book page 4.

PW3624

- 12-3/32" deep (excluding doors)
- Four doors, two doors on each side
- One adjustable shelf
- Not available in special depths



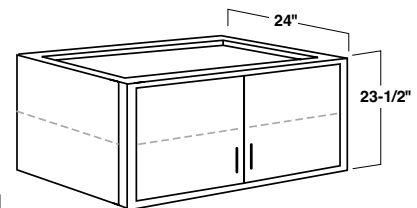
WARNING: Peninsula Wall Cabinets require support every 16" of cabinet width on both faces of the cabinet. Use #10 or larger truss/pan head screws. Screws should penetrate 1-1/2" minimum into solid wood (ceiling joist or soffit frame)

WALL REFRIGERATOR — 24" DEEP — BUTT DOORS (23-1/2" HIGH)

See Price Book page 4.

WR3024B

- Butt doors
- No center mullion
- One adjustable shelf
- Not available in special depths



CAUTION INSTALLER: 24" deep wall cabinets require additional support. They should be screwed on both sides to adjacent cabinets, soffit or ceiling joist.

CAUTION INSTALLER: Do not install wall cabinet by itself. Additional support is required, such as attachment to a soffit. See cabinet installation guide for specific instructions.

WALL CABINETS (12" DEEP)

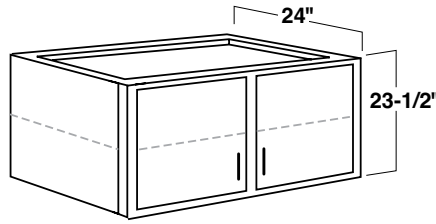
All single door wall cabinets are invertible for L or R hinging.

**WALL REFRIGERATOR — 24" DEEP — DOUBLE DOOR
(23 1/2" HIGH)**

See Price Book page 5.

WR3324
WR3624
WR3924

- Two doors
- One adjustable shelf
- Not available in special depths



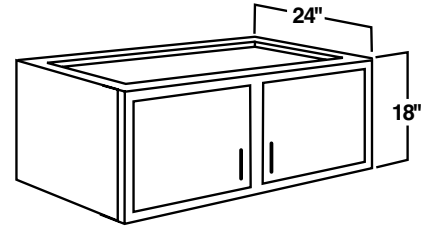
CAUTION INSTALLER: 24" deep wall cabinets require additional support. They should be screwed on both sides to adjacent cabinets, soffit or ceiling joist.

**WALL REFRIGERATOR — 24" DEEP — DOUBLE DOOR
(18" HIGH)**

See Price Book page 5.

WR3318
WR3618
WR3918

- Two doors
- No shelf
- Not available in special depths



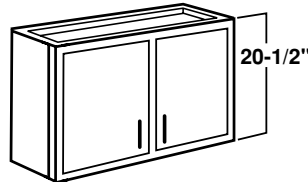
CAUTION INSTALLER: 24" deep wall cabinets require additional support. They should be screwed on both sides to adjacent cabinets, soffit or ceiling joist.

DOUBLE DOOR (20-1/2" HIGH)

See Price Book page 5.

W3021
W3621

- Two doors
- No shelf

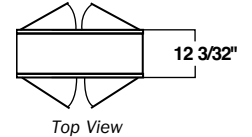
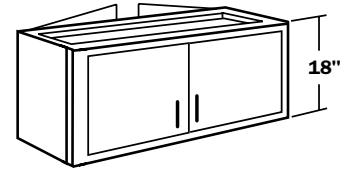


PENINSULA WALL — BUTT DOORS (18" HIGH)

See Price Book page 5.

PW3018B

- 12-3/32" deep (excluding doors)
- Four doors, two butt doors on each side
- No center mullion
- No shelf
- Not available in special depths



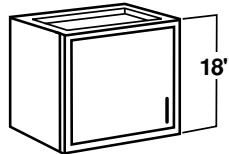
WARNING: Peninsula Wall Cabinets require support every 16" of cabinet width on both faces of the cabinet. Use #10 or larger truss/pan head screws. Screws should penetrate 1-1/2" minimum into solid wood (ceiling joist or soffit frame)

SINGLE DOOR (18" HIGH)

See Price Book page 5.

W2418 L or R

- One door
- No shelf
- Specify L or R hinging

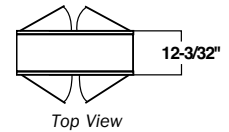
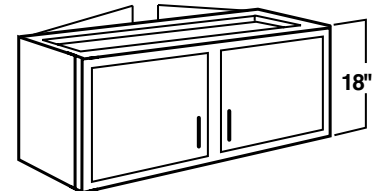


PENINSULA WALL — DOUBLE DOOR (18" HIGH)

See Price Book page 5.

PW3618

- 12-3/32" deep (excluding doors)
- Four doors, two doors on each side
- No shelf
- Not available in special depths



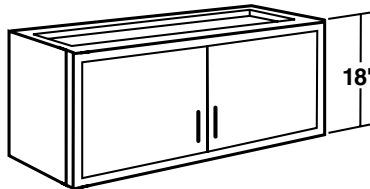
WARNING: Peninsula Wall Cabinets require support every 16" of cabinet width on both faces of the cabinet. Use #10 or larger truss/pan head screws. Screws should penetrate 1-1/2" minimum into solid wood (ceiling joist or soffit frame)

BUTT DOORS (18" HIGH)

See Price Book page 5.

W3018B

- Butt doors
- No center mullion
- No shelf

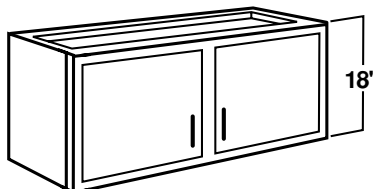


DOUBLE DOOR (18" HIGH)

See Price Book page 5.

W3318
W3618
W3918
W4218

- Two doors
- No shelf

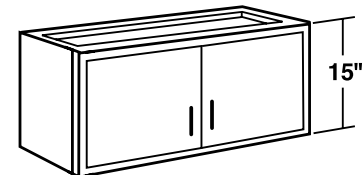


BUTT DOORS (15" HIGH)

See Price Book page 5.

W3015B

- Butt doors
- No center mullion
- No shelf



CAUTION INSTALLER: Do not install wall cabinet by itself. Additional support is required, such as attachment to a soffit. See cabinet installation guide for specific instructions.

WALL CABINETS (12" DEEP)

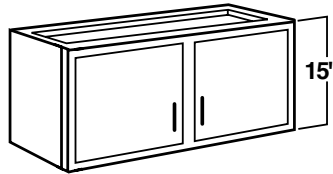
All single door wall cabinets are invertible for L or R hinging.

DOUBLE DOOR (15" HIGH)

See Price Book page 6.

W3315
W3615
W3915

- Two doors
- No shelf

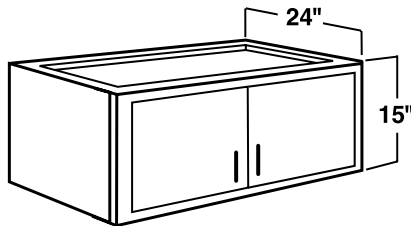


WALL REFRIGERATOR — 24" DEEP — BUTT DOORS (15" HIGH)

See Price Book page 6.

WR3015B

- Butt doors
- No center mullion
- No shelf
- Not available in special depths



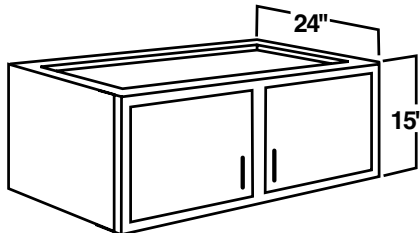
CAUTION INSTALLER: 24" deep wall cabinets require additional support. They should be screwed on both sides to adjacent cabinets, soffit or ceiling joist.

WALL REFRIGERATOR — 24" DEEP — DOUBLE DOOR (15" HIGH)

See Price Book page 6.

WR3315
WR3615
WR3915

- Two doors
- No shelf
- Not available in special depths

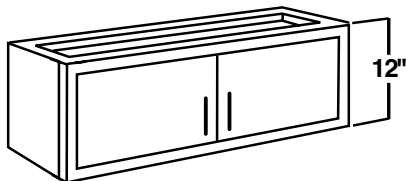


BUTT DOORS (12" HIGH)

See Price Book page 6.

W3012B

- Butt doors
- No center mullion
- No shelf

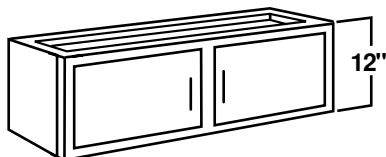


DOUBLE DOOR (12" HIGH)

See Price Book page 6.

W3612
W3912

- Two doors
- No shelf

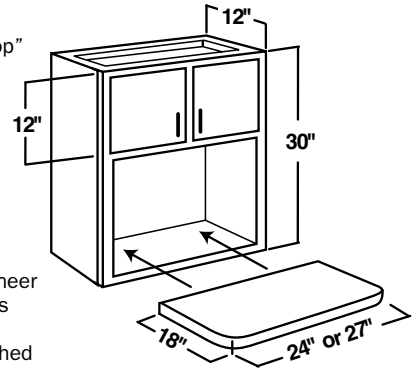


WALL MICROWAVE SHELF CABINET — BUTT DOORS AND DOUBLE DOOR (30" HIGH)

See Price Book page 6.

WMSC2730B*
WMSC3030

- Designed for "countertop" style microwave ovens
- Two doors
- * Butt doors, no center mullion
- No adjustable shelf in upper section
- Interior color matches exterior color
- Matching 3/4" thick veneer microwave shelf extends 6-25/32" beyond face frame. Shipped unattached for easier cabinet installation. Shelf mounting hardware included.
- Not available in special depths
- Oven opening dimensions:
WMSC2730B - 24" wide x 18" deep (shelf) x 15-3/4" high
WMSC3030 - 27" wide x 18" deep (shelf) x 15-3/4" high
- **Note:** For Starlight finish, the 3/4" thick microwave shelf has a laminate finish.



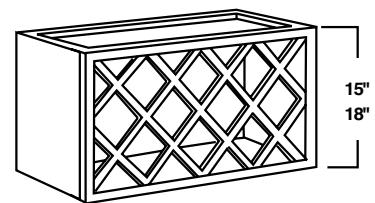
CAUTION INSTALLER: WMSC cabinets require additional support. They should be screwed on both sides to adjacent cabinets, wall, soffit or ceiling joist.

WALL LATTICE WINE RACK (15" HIGH OR 18" HIGH)

See Price Book page 6.

	Bottle Capacity
WL3615	13
WL3018	11

- Interior color matches exterior
- 4" x 4" bottle openings
- For use in horizontal applications only
- Not available in special depths
- Lattice is not removable



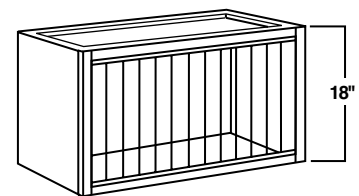
CAUTION INSTALLER: WL cabinets require additional support. They should be screwed on both sides to adjacent cabinets, wall, soffit or ceiling joist.

WALL CHINA DISPLAY (18" HIGH)

See Price Book page 6.

WCD3018

- Interior color matches exterior
- Holds 13 plates
- Each plate opening is 1-5/8" wide, 14-1/2" high, 11-1/4" deep
- Not available in special depths



CAUTION INSTALLER: WCD cabinets require additional support. They should be screwed on both sides to adjacent cabinets, wall, soffit or ceiling joist.

BOOKCASES (12" Deep)

CABINET INTERIOR COLOR MATCHES EXTERIOR. Doors, if required, must be ordered separately. Unfinished bookcases are not available.

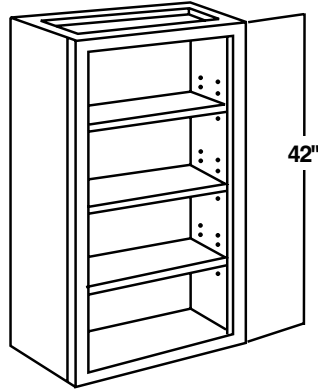
BOOKCASES

BOOKCASE† (42" HIGH)

See Price Book page 7.

- BK1542
- BK1842
- BK2142
- BK2442
- BK3042

- Three adjustable 3/4" thick shelves
- Bookcases have matching interiors
- Plastic shelf supports used during shipping
- Clear plastic shelf supports are provided
- Available in special depths, see page 39

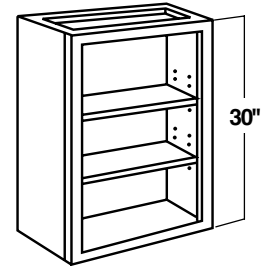


BOOKCASE† (30" HIGH)

See Price Book page 7.

- BK1530
- BK1830
- BK2130
- BK2430
- BK3030

- Two adjustable 3/4" thick shelves
- Bookcases have matching interiors
- Plastic shelf supports used during shipping
- Clear plastic shelf supports are provided
- Available in special depths, see page 39

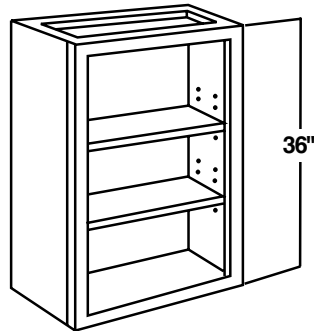


BOOKCASE† (36" HIGH)

See Price Book page 7.

- BK1536
- BK1836
- BK2136
- BK2436
- BK3036

- Two adjustable 3/4" thick shelves
- Bookcases have matching interiors
- Plastic shelf supports used during shipping
- Clear plastic shelf supports are provided
- Available in special depths, see page 39

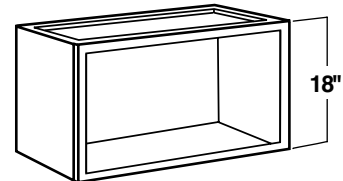


BOOKCASE† (18" HIGH)

See Price Book page 7.

- BK3018

- No shelf
- Bookcases have matching interiors
- Available in special depths, see page 39



BOOKCASE (BK) WARNING†

Bookcase cabinets may be subjected to extreme weight. Do not install cabinet by itself. Additional support is required, such as attachment to a soffit or countertop. See cabinet installation guide for specific instructions.



SPECIAL DEPTH BOOKCASE (BK) WARNING†

Special depth Bookcase cabinets greater than 12" deep should not be used in wall hung applications. Wall hung applications must be limited to 15 lbs. per square foot of shelf area, not to exceed 50 lbs. per shelf. FAILURE TO FOLLOW THESE LIMITATIONS COULD CAUSE CABINET TO FALL, RESULTING IN SERIOUS INJURY.

BASE CABINETS (24" DEEP)

Specify L or R hinging on single door cabinets.

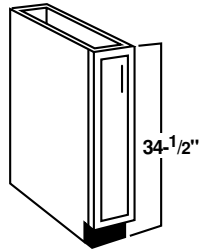
BASE CABINETS

BASE — FULL-HEIGHT SINGLE DOOR

See Price Book page 8.

B9FH L or R

- No shelf
- One full-height door
- Specify L or R hinging

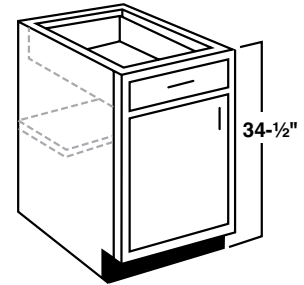


BASE — SINGLE DOOR

See Price Book page 8.

B12 L or R HDS
B15 L or R HDS
B18 L or R HDS
B21 L or R HDS
B24 L or R HDS

- One door
- One drawer
- One adjustable half-depth shelf
- Specify L or R hinging

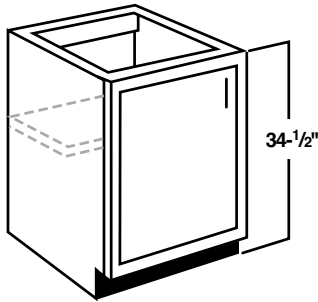


BASE — FULL-HEIGHT SINGLE DOOR

See Price Book page 8.

B12FH L or R HDS
B15FH L or R HDS
B18FH L or R HDS
B21FH L or R HDS
B24FH L or R HDS

- One full-height door
- One adjustable half-depth shelf
- Specify L or R hinging

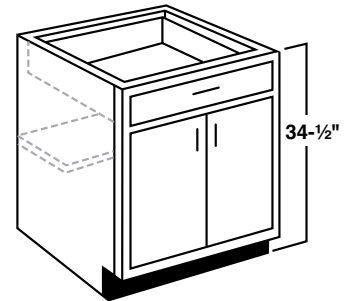


BASE — BUTT DOORS

See Price Book page 8.

B24B HDS
B27B HDS
B30B HDS

- Butt doors
- One drawer
- One adjustable half-depth shelf
- No center mullion

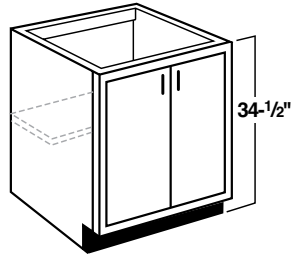


BASE — FULL-HEIGHT BUTT DOORS

See Price Book page 8.

B27BFH HDS
B30BFH HDS

- Full-height butt doors
- No center mullion
- One adjustable half-depth shelf

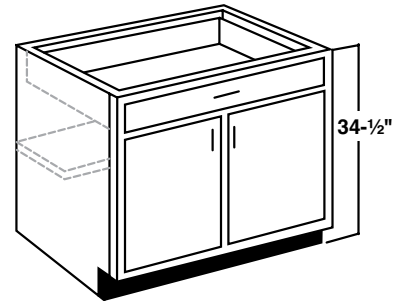


BASE — DOUBLE DOOR

See Price Book page 8.

B33 HDS
B36 HDS
B39 HDS

- Two doors
- One drawer
- One adjustable half-depth shelf

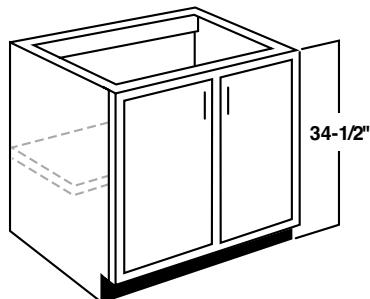


BASE — FULL-HEIGHT DOUBLE DOOR

See Price Book page 8.

B33FH HDS
B36FH HDS
B39FH HDS
B42FH HDS
B48FH HDS

- Two full-height doors
- One adjustable half-depth shelf
- Center mullion

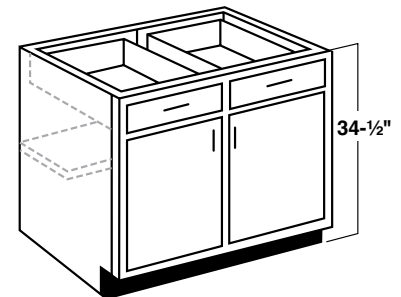


BASE — DOUBLE DOOR

See Price Book page 8.

B42 HDS
B45 HDS
B48 HDS

- Two doors
- Two drawers
- One adjustable half-depth shelf



BASE CABINETS (24" DEEP)

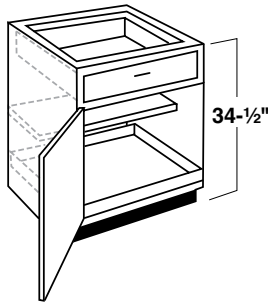
Specify L or R hinging on single door cabinets.

BASE — SINGLE DOOR — ONE STANDARD TRAY

See Price Book page 8.

- B12 L or R H1T
- B15 L or R H1T
- B18 L or R H1T
- B21 L or R H1T
- B24 L or R H1T

- One door
- One drawer
- One adjustable half-depth shelf
- One pull-out tray
- Not available in special depths
- Specify L or R hinging

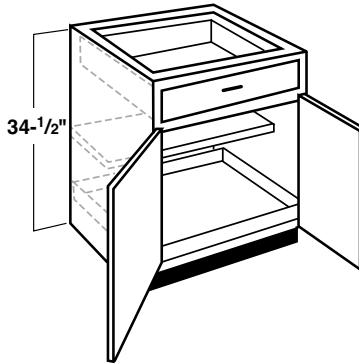


BASE BUTT DOORS — ONE STANDARD TRAY

See Price Book page 8.

- B24B H1F
- B27B H1F
- B30B H1F

- Butt doors
- No center mullion
- One drawer
- One adjustable half-depth shelf
- One pull-out tray
- Not available in special depths

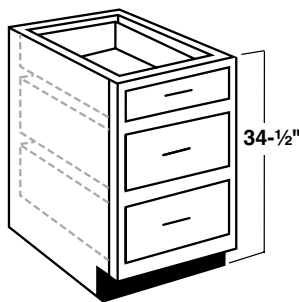


BASE DRAWER — 3 DRAWER

See Price Book page 9.

- BD12-3D
- BD15-3D
- BD18-3D
- BD21-3D
- BD24-3D
- BD30-3D*
- BD36-3D*

- Three drawers; one standard and two deep
- Not available in 12" and 15" reduced depth
- * Full extension drawer guides on two bottom deep drawers. Standard side-mount 3/4 extension epoxy guides will be used on 18" reduced depth.

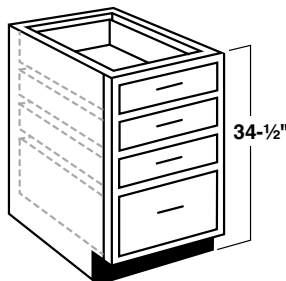


BASE DRAWER — 4 DRAWER

See Price Book page 9.

- BD12-4D
- BD15-4D
- BD18-4D
- BD21-4D
- BD24-4D

- Four drawers; three standard and one deep
- Not available in 12" and 15" reduced depth

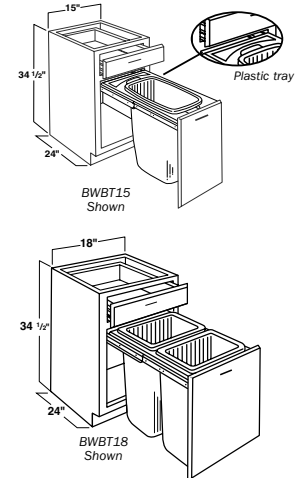


BASE WASTEBASKET TOP MOUNT

See Price Book page 9.

- BWBT15
- BWBT18

- One top drawer
 - Top mounted veneered hardwood wastebasket tray assembly with full-extension ball-bearing guides
 - Door is attached to tray assembly
 - 35 qt. white plastic basket is 10-1/2" x 14-5/8" x 18" high
 - Not available in special depths
- BWBT15**
- One removable 35 qt. white plastic basket
 - One 5-1/2" deep white plastic tray for garbage bag storage
- BWBT18**
- Two removable 35 qt. white plastic baskets (no garbage bag tray storage)

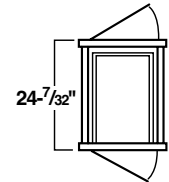
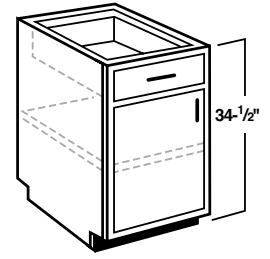


PENINSULA BASE — SINGLE DOOR

See Price Book page 9.

- PB15 FDS
- PB18 FDS
- PB21 FDS
- PB24 FDS

- Two doors, one each side
- One drawer on kitchen side
- False front on dining room side
- Door hinged left on drawer side, hinged right on false front side
- One full-depth adjustable shelf
- 24-7/32" deep (excluding doors/drawer fronts)
- Not available in special depths



Top view

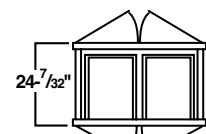
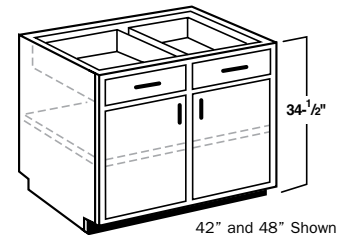
NOTE: It is not recommended to use a single PB (Peninsula Base) cabinet in a "stand alone" island configuration. A minimum of two cabinets joined together should be employed. See cabinet installation guide for specific instructions. Failure to follow this limitation could cause serious injury and will void the product warranty.

PENINSULA BASE — BUTT DOORS AND DOUBLE DOOR

See Price Book page 9.

- PB30B FDS
- PB36 FDS
- PB42 FDS
- PB48 FDS

- PB30B FDS and PB36 FDS cabinets have one top drawer on kitchen side and false front on dining room side
- PB42 FDS and PB48 FDS cabinets have two top drawers on kitchen side and two false fronts on dining room side
- Each side has two doors
- Butt doors both sides, no center mullion
- One adjustable full-depth shelf
- 24-7/32" deep (excluding doors/drawer fronts)
- Not available in special depths



Top view

NOTE: It is not recommended to use a single PB (Peninsula Base) cabinet in a "stand alone" island configuration. A minimum of two cabinets joined together should be employed. See cabinet installation guide for specific instructions. Failure to follow this limitation could cause serious injury and will void the product warranty.

BASE CABINETS

BASE CABINETS (24" DEEP)

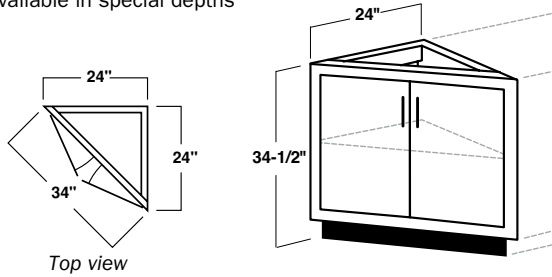
Specify L or R hinging on single door cabinets.

BASE CORNER ANGLE — BUTT DOORS

See Price Book page 9.

BCA24BFH

- For use at the L or R end of a cabinet run or as a "stand alone" in a corner
- Full-height butt doors, no center mullion
- One adjustable shelf
- Not available in special depths

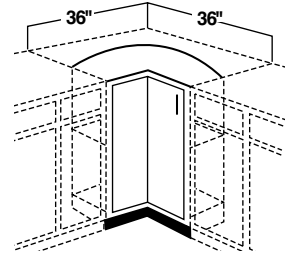


BASE CORNER FIXED SHELF

See Price Book page 10.

BCFS36 L or R

- Specify L or R hinging
- Two piece bi-fold doors with independent adjustment hinged to cabinet face frame
- Features concealed hinges with 168° opening angle
- One fixed pie-cut shelf in center position
- Requires 36" x 36" of wall space
- Use BEPF3 if either end is exposed (requires 3" of space). Order separately
- Not available in special depths



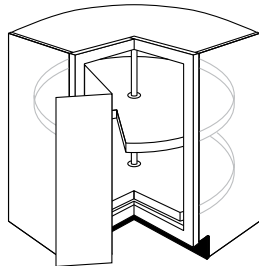
NOTE: If cabinet is installed next to an appliance deeper than 25", it may interfere with cabinet door when opening. Options available: A) Use a filler between cabinet and appliance, B) Pull cabinet even with appliance front (pulling cabinet will result in a deeper countertop and overall base cabinet depth dimension).

BASE CORNER REVOLVING — BUILDER

See Price Book page 9.

BCRB33 L or R
BCRB36 L or R

- Specify L or R hinging
- Two piece bi-fold doors with independent adjustment hinged to cabinet face frame
- Features concealed hinges with 168° opening angle
- Two 24" diameter rotating high impact white plastic pie-cut shelves. Shelves rotate independently of bi-fold doors and each other
- Shelf load capacity rating is 15 lbs. per square foot, not to exceed 50 lbs.
- BCRB33 requires 33" x 33" of wall space
- BCRB36 requires 36" x 36" of wall space
- Not available in special depths
- Use BEPF3 if either end is exposed (requires 3" of space). Order separately



BASE BLIND CORNER

See Price Book page 10.

BBC36/39FH BL or BR HDS
BBC39/42 BL or BR HDS
BBC42/45 BL or BR HDS
BBC45/48 BL or BR HDS
BBC48/51 BL or BR HDS

- Specify blind left (BL) or blind right (BR)
- One drawer; except BBC36/39 FH which does not have a drawer
- One door. BBC36/39FH has a full-height door
- Door is hinged from face frame center stile
- One full-width half-depth adjustable shelf
- Order blind panel with 3" filler BBPF3 separately
- Door and drawer hardware clearance:
No Pull = 1-5/8" 2-7/8" Pull = 4-1/2"

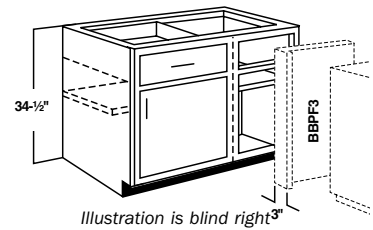


Illustration is blind right³

INSTALLATION EXAMPLE BASE BLIND CORNER

Base Blind Corner cabinets provide access to corner space and permit adjustability of up to 2-7/8" to aid in kitchen layout. The blind side corner (area of cabinet hidden by end of adjoining cabinet) must be ordered Blind Left (BL) or Blind Right (BR). "Pulling" the cabinet away from the corner (adding up to an additional 2-7/8" to the void area), and using the separately ordered BBPF3 panel/filler assembly provides clearance for opening doors and drawers when decorative hardware (pulls/knobs) is used.

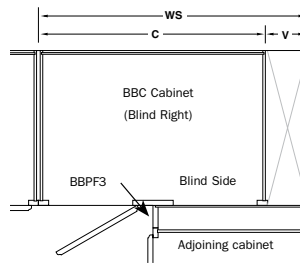
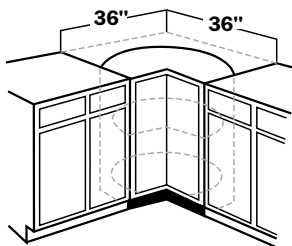
Base Blind Corner	(WS) Wall Space		(C) Actual	(V) Void Area		Door Opening
	No Pull	2-7/8" Pull	Cabinet Width	No Pull	2-7/8"	Width
BBC36/39FH	36"	38-7/8"	24"	12"	14-7/8"	7-1/2"
BBC39/42	39"	41-7/8"	30"	9"	11-7/8"	10-1/2"
BBC42/45	42"	44-7/8"	36"	6"	8-7/8"	13-1/2"
BBC45/48	45"	47-7/8"	42"	3"	5-7/8"	16-1/2"
BBC48/51	48"	50-7/8"	48"	0"	2-7/8"	19-1/2"

BASE LAZY SUSAN — TRADITIONAL OVERLAY DOOR STYLES

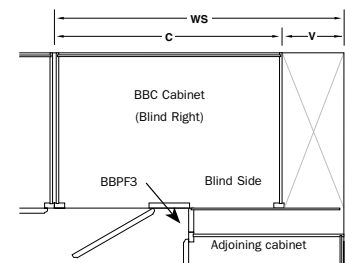
See Price Book page 9.

BLS36

- Two 28" diameter high impact white plastic pie-cut shelves
- Shelves are attached to doors which all rotate as a unit
- Shelf load capacity rating is 15 lbs. per sq. ft., not to exceed 50 lbs.
- Requires 36" x 36" of wall space
- Use BEPF3 if either end is exposed (requires 3" of space). Order separately
- Not available in special depths
- Available in Traditional Overlay door styles only



Base Blind Corner — No pull
Illustration is blind right



Base Blind Corner — 2 7/8" pull
Cabinet not to be pulled more than 2 7/8" from corner.

BASE CABINETS (24" DEEP)

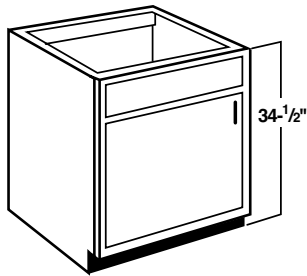
Specify L or R hinging on single door cabinets.

SINK BASE — SINGLE DOOR

See Price Book page 10.

- SB12 L or R
- SB15 L or R
- SB18 L or R
- SB21 L or R
- SB24 L or R

- Specify L or R hinging
- One door
- One false front
- No shelf

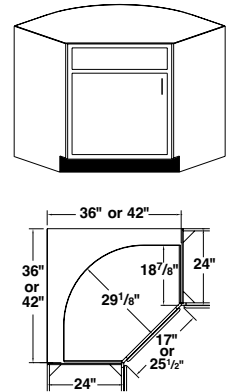


SINK BASE ANGLE

See Price Book page 10.

- SBA36 L or R
- SBA42 L or R

- Specify L or R hinging
- One door
- One false front
- No shelf
- SBA36 requires 36" x 36" of wall space
- SBA42 requires 42" x 42" of wall space
- Top panel must be cut in field to receive sink/plumbing
- 29-1/4" minimum doorway clearance required for delivery with cabinet door and false front removed
- Use BEPF34 if either end is exposed (requires 3" space). Order separately
- Not available in special depths

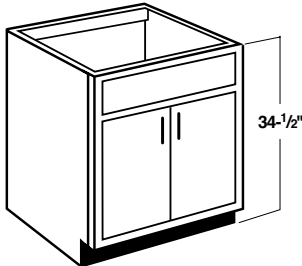


SINK BASE — BUTT DOORS

See Price Book page 10.

- SB27B
- SB30B

- Butt doors
- No center mullion
- One false front
- No shelf



CAUTION INSTALLER: If cabinet is installed next to an appliance deeper than 25", it may interfere with cabinet door when opening. Options available: A) Use a filler between cabinet and appliance, B) Pull cabinet even with appliance front (pulling cabinet will result in a deeper countertop and overall base cabinet depth dimension).

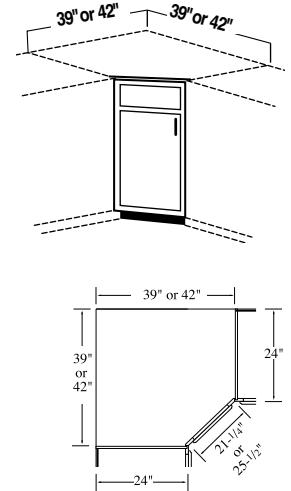
SINK FRONT ANGLE

See Price Book page 10.

Wall Space Required

- SFA39 L or R 39" x 39"
- SFA42 L or R 42" x 42"

- Specify L or R hinging
- One door
- One false front
- CANNOT BE TRIMMED
- Includes toe space (toe kick backer) assembly. Shipped unattached
- SFDB4242 floor bottom panel not included. Order separately

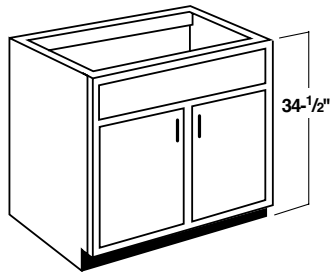


SINK BASE — DOUBLE DOOR

See Price Book page 10.

- SB33
- SB36
- SB39

- Two doors
- One false front
- No shelf

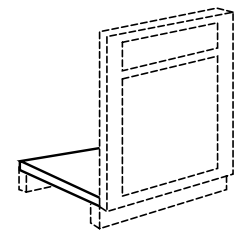


SINK FRONT BOTTOM

See Price Book page 10.

- SFB2372 23-3/16" x 72"

- Available in Natural Maple or Starlight
- 3/8" engineered wood, laminate one side
- One per carton

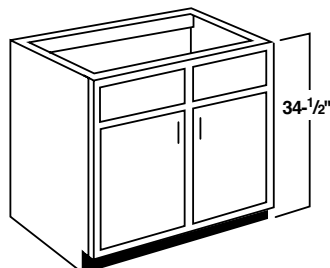


SINK BASE — DOUBLE DOOR

See Price Book page 10.

- SB42
- SB45
- SB48

- Two doors
- Two false fronts
- No shelf

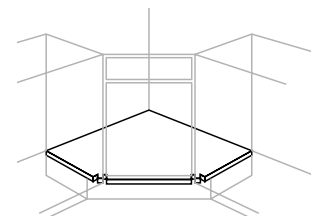


SINK FRONT DIAGONAL BOTTOM

See Price Book page 10.

- SFDB4242 42-3/16" x 42-3/16"

- Available in Natural Maple or Starlight
- Designed to be used as an optional cabinet bottom with SFA39 and SFA42
- Fits SFA42 without trimming
- Must be field trimmed when used with SFA39
- 3/8" thick engineered wood, laminated one side
- Installation screws included



UNIVERSAL CABINETS 32-1/2" HIGH x 24" DEEP

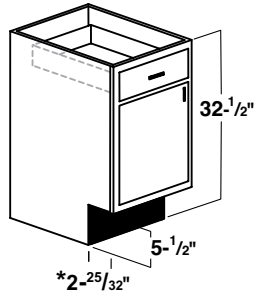
Specify L or R hinging on single door base cabinets

UNIVERSAL BASE — SINGLE DOOR

See Price Book page 11.

- UB12 L or R
- UB15 L or R
- UB18 L or R
- UB21 L or R
- UB24 L or R

- Specify L or R hinging
- One door
- One drawer
- No shelf

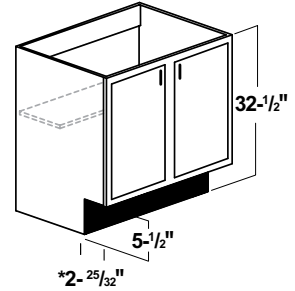


UNIVERSAL BASE — FULL-HEIGHT DOUBLE DOOR

See Price Book page 11.

- UB33FH HDS
- UB36FH HDS

- Two full-height doors
- One adjustable half-depth shelf

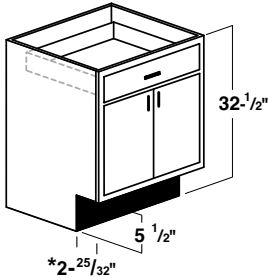


UNIVERSAL BASE — BUTT DOORS

See Price Book page 11.

- UB27B
- UB30B

- Butt doors
- No center mullion
- One drawer
- No shelf

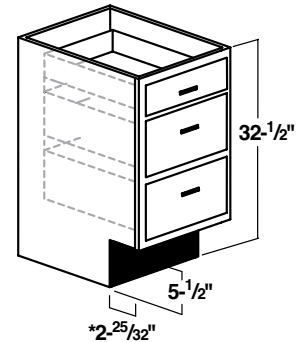


UNIVERSAL BASE DRAWER — 3 DRAWER

See Price Book page 11.

- UBD12-3D
- UBD15-3D
- UBD18-3D
- UBD21-3D
- UBD24-3D

- Three drawers; one standard and two deep
- Not available in 12" and 15" reduced depth

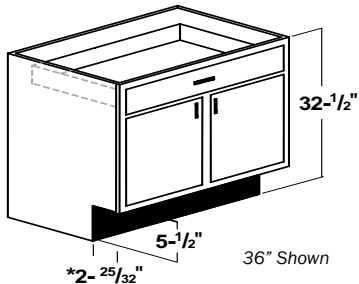


UNIVERSAL BASE — DOUBLE DOOR

See Price Book page 11.

- UB36
- UB42

- Two doors
- UB36 has one drawer, UB42 has two drawers
- No shelf

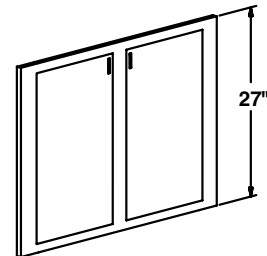


UNIVERSAL BASE SINK FRONT — FULL-HEIGHT DOUBLE DOOR

See Price Book page 12.

- UBSF36FH

- Two full-height doors
- Toe kick not included
- Not trimmable



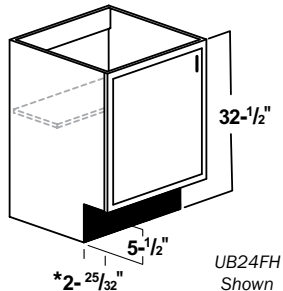
UNIVERSAL BASE — FULL-HEIGHT SINGLE DOOR

See Price Book page 11.

- UB9FH L or R
- UB24FH L or R HDS

- One full-height door
- Specify L or R hinging
- No shelf in 9" cabinet
- One adjustable half-depth shelf in 24" cabinet

Gray color coding indicates new product, size or code.

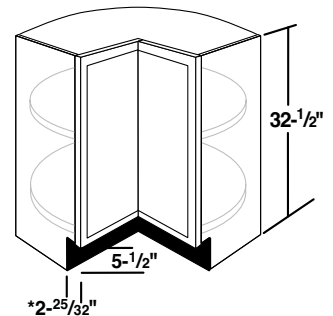


UNIVERSAL BASE LAZY SUSAN — TRADITIONAL OVERLAY DOOR STYLES

See Price Book page 12.

- UBLS36

- Two 28" diameter high impact white plastic pie-cut shelves
- Shelves are attached to doors which all rotate as a unit
- Shelf load capacity rating is 15 lbs. per sq. ft., not to exceed 50 lbs.
- Requires 36" x 36" of wall space
- Not available in special depths
- Use BEPF3 if either end is exposed (requires 3" of space). Must be field trimmed to 32-1/2" high. Order separately
- Available in traditional overlay door styles only

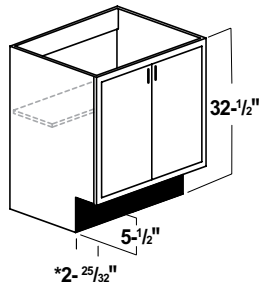


UNIVERSAL BASE — FULL-HEIGHT BUTT DOORS

See Price Book page 11.

- UB30BFH HDS

- Full-height butt doors
- No center mullion
- One adjustable half-depth shelf



UNIVERSAL CABINETS

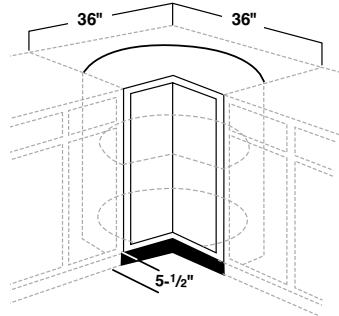
TALL CABINETS (84", 90" & 96" High)

Specify L or R hinging for single door cabinets.

UNIVERSAL BASE CORNER REVOLVING — FULL OVERLAY DOOR STYLES See Price Book page 12.

UBCR36 L or R

- Specify L or R hinging
- Two piece bi-fold doors with independent adjustment hinged to cabinet face frame
- Features concealed hinges with 168° opening angle and 3-way adjustment
- Equipped with 2-28" kidney shelves that rotate independently of doors and each other
- Requires 36" x 36" wall space
- Not available in special depths
- Use BEPF3 when exposed at end of run, order separately
- Available in full overlay door styles only



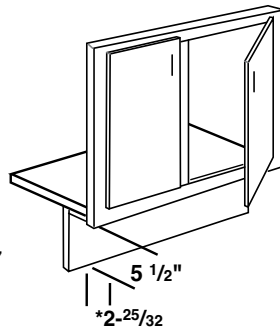
CAUTION INSTALLER: If cabinet is installed next to an appliance deeper than 25", it may interfere with cabinet door when opening. Options available: A) Use a filler between cabinet and appliance, B) Pull cabinet even with appliance front (pulling cabinet will result in a deeper countertop and overall base cabinet depth dimension).

UNIVERSAL SINK FRONT CABINET KIT

See Price Book page 12.

USFCK30FH
USFCK33FH
USFCK36FH
USFCK42FH

- Two full-height doors
- Face frame with center mullion
- Includes toe space (toekick backer) assembly, shipped unattached
- Includes bottom panel made of 3/8" thick engineered wood laminate one side. Shipped separately

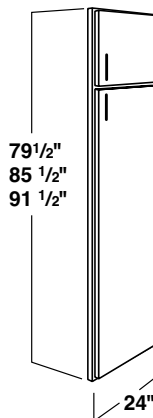


UTILITY FRONT

See Price Book page 12.

UF2484 L or R
UF2490 L or R
UF2496 L or R

- Specify L or R hinging
- One door on both upper and bottom sections
- Actual height of UF2484 is 79-1/2"
- Actual Height of UF2490 is 85-1/2"
- Actual height of UF2496 is 91-1/2"
- Face frame is not extended for toekick



UTILITY CABINET — 12" DEEP (84", 90", AND 96" HIGH)

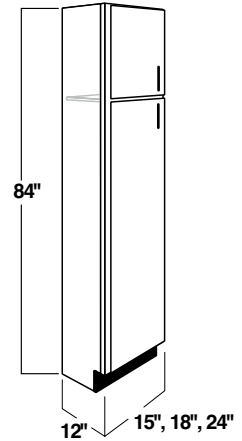
See Price Book page 13.

U1584 L or R
U1884 L or R
U2484 L or R
U3684B

U1590 L or R
U1890 L or R
U2490 L or R
U3690B

U1596 L or R
U1896 L or R
U2496 L or R
U3696B

U1884L Shown



- Specify L or R hinging
- Available in 9" deep option for single door utility cabinets

VANITY LINEN CABINET — 21" DEEP (84", 90", AND 96" HIGH)

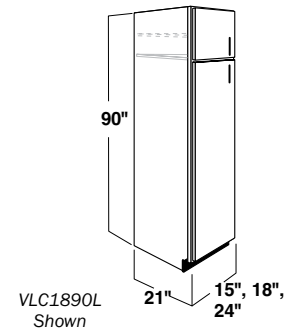
See Price Book page 13.

VLC1584 L or R
VLC1884 L or R
VLC2484 L or R
VLC3684B

VLC1596 L or R
VLC1896 L or R
VLC2496 L or R
VLC3696B

VLC1590 L or R
VLC1890 L or R
VLC2490 L or R
VLC3690B

- Specify L or R hinging for single door vanity linen cabinets
- Available 15" deep option
- To order 18" deep, add 18 at the end of the size code. Example: VLC158418L.



UTILITY CABINET — 24" DEEP (84", 90", AND 96" HIGH)

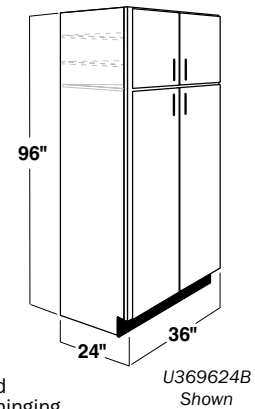
See Price Book page 13.

U158424 L or R
U188424 L or R
U248424 L or R
U368424B

U159024 L or R
U189024 L or R
U249024 L or R
U369024B

U159624 L or R
U189624 L or R
U249624 L or R
U369624B

- 24" deep utility cabinets not available in special depths
- 15", 18" and 24" wide cabinets have one door on both upper and bottom sections. Specify L or R hinging
- 36" wide cabinets have butt doors on both upper and bottom sections. 3" wide frame center mullion in upper section only
- Fixed shelf between upper and bottom sections
- 96" tall cabinets have two adjustable shelves in upper section
- 90" tall cabinets have one adjustable shelf in upper section
- 84" tall cabinets have no shelves in upper section
- Bottom section pre-drilled in end panels for adjustable shelves and/or tray kits. Order separately
- See USK for available shelf kits for Utility cabinets
- See VLSK for available shelf kits for Vanity Linen cabinets
- See ROT and BTK for available tray kits for 24" deep Utility cabinets
- See VTK for available tray kits for 21" deep Vanity Linen cabinets
- 96" tall cabinets include toe kick platform, shipped unattached for easier handling and installation. Toekick cover required on exposed sides of platform



U369624B Shown

TALL CABINETS

* Not including Toekick cover (TKCUL8)

TALL CABINETS (84", 90" AND 96" High)

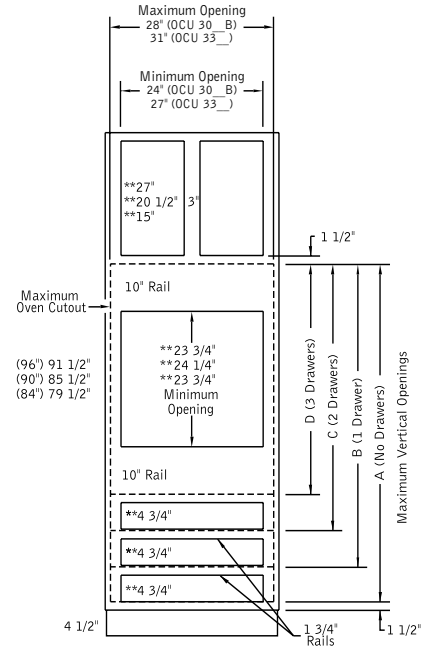
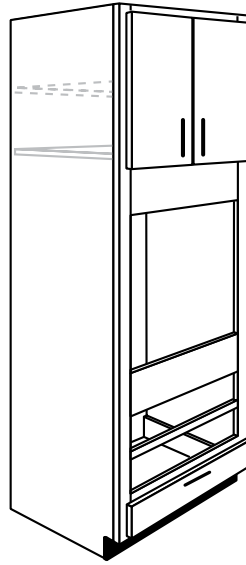
Specify L or R hinging for single door cabinets.

OVEN CABINET UNIVERSAL — 24" DEEP (84", 90", AND 96" HIGH)

See Price Book page 14.

- OCU3084B
- OCU3384
- OCU3090B
- OCU3390
- OCU3096B
- OCU3396

- Two doors on upper section
- 30" wide cabinets have butt doors, no center mullion
- Face-mounted door hinges are used for proper face frame reveal
- Three full-width standard height drawer openings at cabinet bottom
- Includes one full-width standard height drawer
- Order additional drawer(s) as required. See ODK (Oven Drawer Kit)
- 96" tall cabinets have two adjustable shelves in upper section
- 90" tall cabinets have one adjustable shelf in upper section
- 84" tall cabinets have no shelf in upper section
- Fixed shelf between upper and oven center section
- Center section accommodates both single and double ovens by trimming/removing horizontal cross rails from face frame.
- 3" wide trimmable vertical face frame stiles
- Oven support platform NOT included. Order OCSP separately
- 96" tall cabinets include a toekick platform shipped unattached for easier handling and installation. Toekick cover required on exposed sides of platform
- Not available in special depths



**Vertical face frame opening size

Maximum Vertical Openings for Oven				
Cabinet Height	A	B	C	D
84"	60"	53 3/4"	47 1/4"	40 3/4"
90"	60 1/2"	54 1/4"	47 3/4"	41 1/4"
96"	60"	53 3/4"	47 1/4"	40 3/4"



WARNING: Self-cleaning ovens are cleaned through the use of intense heat. If the heat gasket does not seal properly, heat may escape from the oven. Cabinet components installed near the oven may suffer finish or surface damage. To minimize the risk of damage during cleaning cycles, we recommend that you open doors and drawers from cabinets that are above and adjacent to a self-cleaning oven.

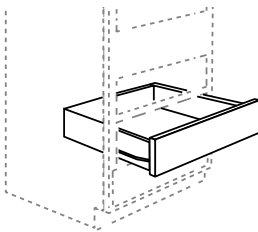
TALL CABINETS

OVEN DRAWER KIT

See Price Book page 14.

- ODK30
- ODK33

- Field installed
- Provides additional storage when a single or compact double oven is used
- A maximum of two additional drawers can be added to the OCU
- Kit includes drawer front, drawer core, guides and mounting hardware
- One drawer per kit

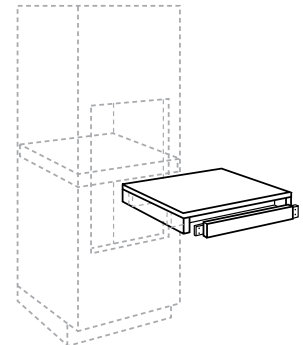


DOUBLE OVEN CABINET KIT

See Price Book page 14.

- DOCK30
- DOCK33

- Designed to provide additional support for a combination microwave oven and built-in oven installation
- Includes one OCSP to support the microwave oven. This includes an engineered wood platform and mounting hardware which install into pre-drilled cabinet end panel holes
- Includes a field installed 3" wide face frame rail to divide the two openings. Installation cleat attached.



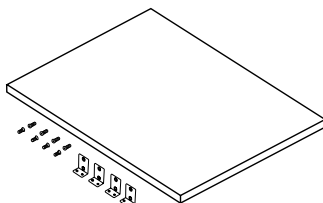
- Divider rail sizes:**
 DOCK30 - 3/4" x 3" x 24" long
 DOCK33 - 3/4" x 3" x 27" long
- Specify wood species and finish for divider rail
 - Requires a second OCSP platform to support the built-in oven for a combination design. Order the second OCSP platform separately

OVEN CABINET SUPPORT PLATFORM

See Price Book page 14.

- OCSP30
- OCSP33

- Field installed
- Supports oven unit in OCU cabinets
- 1-1/8" thick engineered wood unfinished on all surfaces
- Includes mounting brackets and screws
- One per carton



VANITY CABINETS 31-1/2" AND 34-1/2" HIGH, 21" DEEP

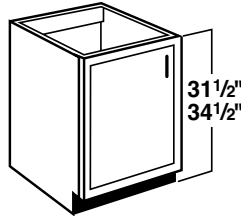
18" deep vanities are available. To order 18" deep vanities add 18 to the end of the size code. Example: VB603518BFH

VANITY BASE — FULL-HEIGHT SINGLE DOOR

See Price Book page 15.

31-1/2" HIGH **34-1/2" HIGH**
 VB15FH L or R VB1235FH L or R
 VB1535FH L or R
 VB1835FH L or R
 VB21FH L or R VB2135FH L or R
 VB24SFH L or R† VB2435SFH L or R†

- One full-height door
- No shelf
- Specify L or R hinging
- † Accepts DeNova Beginnings® natural granite or marble vanity top. See pages 24-25 for details

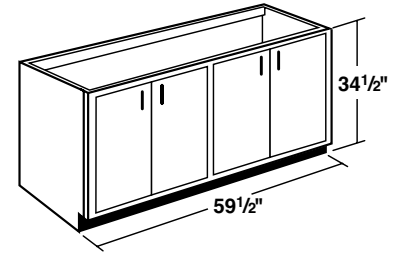


VANITY BASE — FULL-HEIGHT DOUBLE BUTT DOORS

See Price Book page 16.

34-1/2" HIGH
 VB6035BFH†

- Two sets of full-height butt doors
- Actual cabinet width is 59-1/2"
- Equal size doors
- One center mullion
- No shelf
- Not available in 31-1/2" high
- Frame stiles are extended so cabinet is trimmable by 1/2" each side
- † Accepts DeNova Beginnings® natural granite or marble vanity top. See pages 24-25 for details

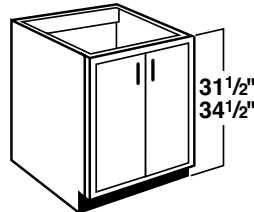


VANITY BASE — FULL-HEIGHT BUTT DOORS

See Price Book page 15.

31-1/2" HIGH **34-1/2" HIGH**
 VB27BFH VB2735BFH
 VB30BFH† VB3035BFH†

- Full-height butt doors
- No shelf
- No center mullion
- † Accepts DeNova Beginnings® natural granite or marble vanity top. See pages 24-25 for details

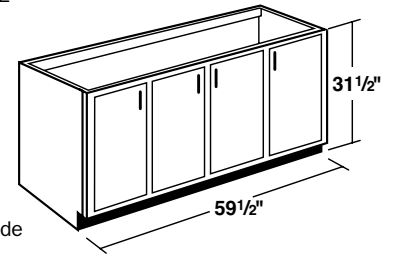


VANITY BASE — FULL-HEIGHT FOUR DOOR

See Price Book page 16.

31-1/2" HIGH
 VB60FH†

- Actual cabinet width is 59-1/2"
- Frame stiles are extended so cabinet is trimmable by 1/2" each side
- Four doors
- No shelf
- Three center mullions
- Traditional overlay door sizes: Outer doors are 13-1/4" wide and inner doors are 12-5/8" wide
- Full overlay doors sizes: Outer doors are 14-5/8" and inner doors are 14" wide
- Not available 34-1/2" high
- Two left doors hinged left, two right doors hinged right
- † Accepts DeNova Beginnings® natural granite or marble vanity top. See pages 24-25 for details

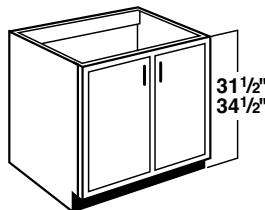


VANITY BASE — FULL-HEIGHT DOUBLE DOOR

See Price Book page 16.

31-1/2" HIGH **34-1/2" HIGH**
 VB33FH VB3335FH
 VB36FH† VB3635FH†
 VB42FH† VB4235FH†

- Full-height doors
- No shelf
- † Accepts DeNova Beginnings® natural granite or marble vanity top. See pages 24-25 for details

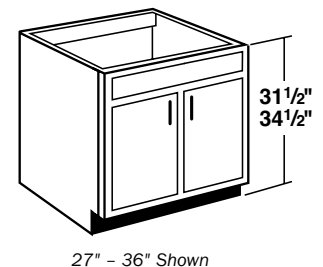


VANITY SINK BASE — SINGLE, BUTT AND DOUBLE DOOR

See Price Book page 17.

31-1/2" HIGH **34-1/2" HIGH**
 VSB24 L or R† VSB2435 L or R†
 VSB27B VSB2735B
 VSB30B† VSB3035B†
 VSB33 VSB3335
 VSB36† VSB3635†
 VSB42†

- No shelf
- Two doors, except VSB24 and VSB2435 which have a single door (specify L or R hinging)
- VSB27B, VSB2735B, VSB30B and VSB3035B cabinets have butt doors, no center mullion
- One false front, except VSB42 which has two
- 42" wide cabinet not available 34-1/2" high
- † Accepts DeNova Beginnings® natural granite or marble vanity top. See pages 24-25 for details

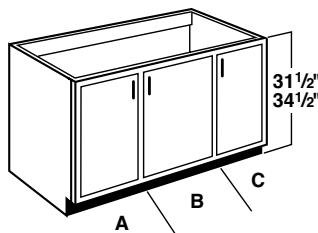


VANITY BASE — FULL-HEIGHT THREE DOOR

See Price Book page 16.

31-1/2" HIGH **34-1/2" HIGH**
 VB48FH† VB4835FH†
 VB54FH VB5435FH

- Three full-height doors
- No shelf
- Center door is always hinged R-hand
- † Accepts DeNova Beginnings® natural granite or marble vanity top. See pages 24-25 for details



Cabinet face dimensions:

	A	B	C
48" =	15"	18"	15"
54" =	18"	18"	18"

VANITY CABINETS

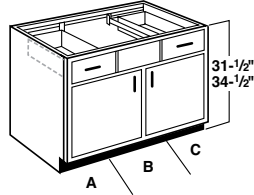
VANITY CABINETS 31-1/2" AND 34-1/2" HIGH, 21" DEEP

18" deep vanities are available. To order 18" deep vanities add 18 to the end of the size code. Example: VB603518BFH

VANITY SINK BASE — DOUBLE DOOR — 2 DRAWER

See Price Book page 17.

31-1/2" HIGH **34-1/2" HIGH**
 VSB36-2D† VSB3635-2D†
 VSB39-2D VSB3935-2D



Drawer/False Front Configurations

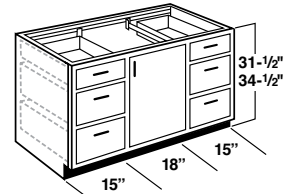
	A	B	C
36" =	12"	12"	12"
39" =	13-1/2"	12"	13-1/2"

- Two doors
 - Two drawers
 - One false front between drawers
 - Drawer cores are offset to allow for 18" between drawers for sink installation
- † Accepts DeNova Beginnings® natural granite or marble vanity top. See pages 24-25 for details

VANITY COMBINATION DRAWER — SINGLE DOOR — 6 DRAWER OR 8 DRAWER

See Price Book page 18.

31-1/2" HIGH **34-1/2" HIGH**
 VCD48FH† VCD4835FH†



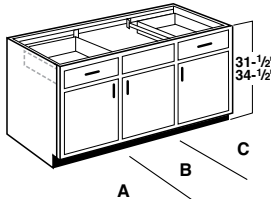
VCD48FH Shown

- One full-height door, always hinged R-hand
 - No center shelf
 - VCD48FH has six drawers; two deep bottom drawers on each side
 - VCD4835FH has eight drawers; one deep bottom drawer each side
 - 21" space between drawers for sink installation
- † Accepts DeNova Beginnings® natural granite or marble vanity top. See pages 24-25 for details

VANITY SINK BASE — THREE DOOR — 2 DRAWER

See Price Book page 18.

31-1/2" HIGH **34-1/2" HIGH**
 VSB42-2D† VSB4235-2D†
 VSB48-2D† VSB4835-2D†
 VSB54-2D VSB5435-2D



Cabinet face dimensions:

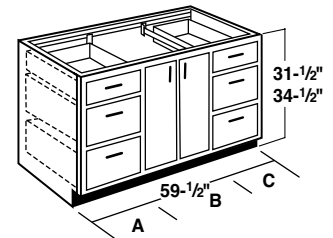
	A	B	C
42" =	12"	18"	12"
48" =	15"	18"	15"
54" =	18"	18"	18"

- Three doors. Center door is always hinged R-hand
 - Two drawers
 - No shelf
 - One false front between drawers
 - 21" space between drawers for sink installation
 - 54" wide cabinets have a full-width support cross rail along top/front
- † Accepts DeNova Beginnings® natural granite or marble vanity top. See pages 24-25 for details

VANITY COMBINATION DRAWER — DOUBLE DOOR — 6 DRAWER OR 8 DRAWER

See Price Book page 18.

31-1/2" HIGH **34-1/2" HIGH**
 VCD60FH† VCD6035BFH†



VCD60FH Shown

- Two full-height center doors
 - No center shelf
 - VCD6035BFH has butt doors, no center mullion
 - VCD60FH has six drawers; two deep bottom drawers on each side
 - VCD6035BFH has eight drawers; one deep bottom drawer each side
 - Actual cabinet width is 59-1/2". Frame stiles are extended so cabinet can be trimmed up to 1/2" each side.
 - 31-3/4" space between drawers for sink installation
- † Accepts DeNova Beginnings® natural granite or marble vanity top. See pages 24-25 for details

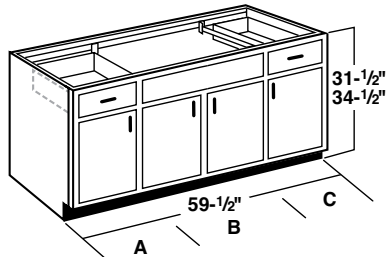
Cabinet face dimensions:

A	B	C
15"	28 3/4"	15"

VANITY SINK BASE — FOUR DOOR — 2 DRAWER

See Price Book page 18.

31-1/2" HIGH **34-1/2" HIGH**
 VSB60-2D† VSB6035B-2D†



Cabinet face dimensions:

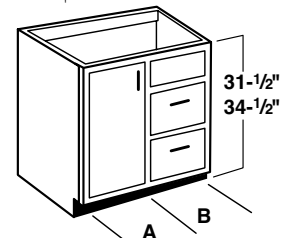
A	B	C
15"	28-3/4"	15"

- Actual cabinet width is 59-1/2"
 - Frame stiles extended so cabinet is trimmable 1/2" each side
 - Two drawers
 - One false front between drawers
 - Four doors, left doors hinged L-hand and right doors hinged R-hand
 - Traditional overlay door sizes:
 VSB60-2D inner doors are 12-5/8" wide, outer doors are 13-1/4" wide
 - Traditional overlay door sizes:
 VSB6035B-2D has butt inner doors, no center mullion, 13-7/16" wide. Outer doors are 13-1/4" wide
 - Full overlay door styles: VSB60-2D inner doors are 14" wide, outer doors are 14-5/8" wide
 - Full overlay door styles: VSB6035B-2D inner doors are 14-1/8", outer doors are 14-5/8" wide
 - 31-3/4" space between drawers for sink installation
- † Accepts DeNova Beginnings® natural granite or marble vanity top. See pages 24-25 for details. VT6122 DBES4 and DBES8 requires converting drawers to false fronts

VANITY COMBINATION DRAWER — SINGLE DOOR — 2 DRAWER OR 3 DRAWER

See Price Book page 19.

31-1/2" HIGH **34-1/2" HIGH**
 VCD30FH DL or DR† VCD3035FH DL or DR†
 VCD33FH DL or DR† VCD3335FH DL or DR†
 VCD36FH DL or DR† VCD3635FH DL or DR†
 VCD42FH DL or DR† VCD4235FH DL or DR†



31-1/2" Shown Drawers Right (DR)

- Specify left (DL) or right (DR) side for drawers
 - One full-height door hinged at side of cabinet
 - No shelf
 - One false front above drawers
 - 31-1/2" high cabinets have two deep drawers
 - 34-1/2" high cabinets have three drawers; one deep drawer at bottom position
- † Accepts DeNova Beginnings® natural granite or marble vanity top. See pages 24-25 for details

Cabinet face dimensions:

A	B
30"	15"
33"	16 1/2"
36"	18"
42"	21"

VANITY CABINETS

VANITY CABINETS 31-1/2" AND 34-1/2" HIGH, 21" DEEP

Specify L or R hinging for single door cabinets. 18" deep vanities are available. To order 18" deep vanities add 18 to the end of the size code. Example: VB603518BFH

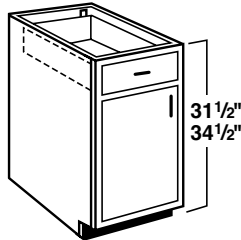
VANITY BASE — SINGLE DOOR

See Price Book page 20.

- | | |
|---------------------|---------------------|
| 31-1/2" HIGH | 34-1/2" HIGH |
| VB12 L or R | VB1235 L or R |
| VB15 L or R | VB1535 L or R |
| VB18 L or R | VB1835 L or R |
| VB21 L or R | VB2135 L or R |
| VB24 L or R† | VB2435 L or R† |

- Specify L or R hinging
- One door
- One drawer
- No shelf

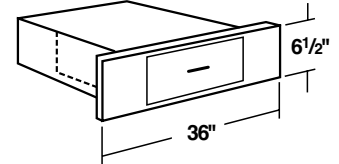
† Accepts DeNova Beginnings® natural granite or marble vanity top. Requires conversion of the top drawer to false front in the field. See pages 24-25 for details



DESK KNEE DRAWER DEEP TRIMMABLE — SINGLE DRAWER (6-1/2" HIGH) See Price Book page 22.

DKDDT36

- One drawer
- Frame is 3/4" plywood
- Trimmable to 21" wide, 7-1/2" each side
- Requires countertop/writing surface
- Features standard height vanity drawer core
- Available 18" deep

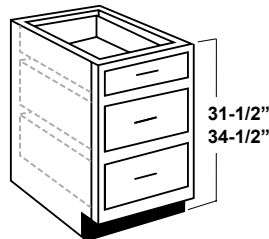


VANITY DRAWER — 3 DRAWER

See Price Book page 21.

- | | |
|---------------------|---------------------|
| 31-1/2" HIGH | 34-1/2" HIGH |
| VD12-3D | VD1235-3D |
| VD15-3D | VD1535-3D |
| VD18-3D | VD1835-3D |
| VD21-3D | VD2135-3D |
| VD24-3D | VD2435-3D |

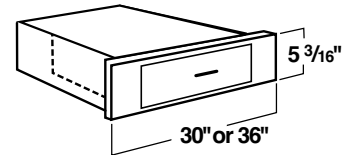
- Three drawers; one standard and two deep
- Not available in 12" and 15" reduced depth



DESK KNEE DRAWER TRIMMABLE — SINGLE DRAWER (5-3/16" HIGH) See Price Book page 22.

DKDT30
DKDT36

- One 1-5/8" deep pencil drawer
- Unit is designed to be installed between cabinets for sitting
- 4-1/2" wide face frame stiles, 3/4" thick solid hardwood face frame
- DKDT30 is trimmable to 24" wide, 3" each side
- DKDT36 is trimmable to 30" wide, 3" each side
- Top panel is recessed for easier installation
- Requires countertop/writing surface
- Available 18" deep



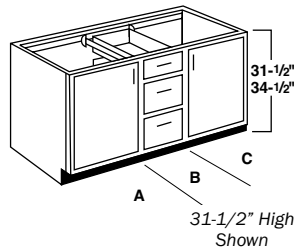
VANITY SINK BASE DOUBLE BOWL — 3 DRAWER OR 4 DRAWER

See Price Book page 21.

- | | |
|---------------------|---------------------|
| 31-1/2" HIGH | 34-1/2" HIGH |
| VSB54FH-3D | VSB5435FH-4D |
| VSB60FH-3D† | VSB6035FH-4D† |

- Actual width of VSB60 cabinets is 59-1/2". Frame stiles are extended so cabinet can be trimmed up to 1/2" each side
- No shelf
- Two full-height doors hinged at side of cabinet
- 31-1/2" high cabinets have three drawers; two deep bottom drawers
- 34-1/2" high cabinets have four drawers; one deep bottom drawer
- Opening on each end for sink installation:
54" = 18-7/8"
59-1/2" = 21-1/4"

† Accepts DeNova Beginnings® natural granite or marble vanity top. See pages 24-25 for details



Cabinet face dimensions:

	A	B	C
54"	21"	12"	21"
59-1/2"	20-3/4"	18"	20-3/4"

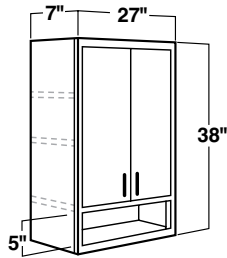
VANITY WALL CABINETS

VANITY WALL BOUTIQUE — BUTT DOORS

See Price Book page 23.

VWB2738B

- Butt doors
- No center mullion
- Two adjustable shelves
- Interior, shelves, and open display area match the cabinet exterior
- 5" high display opening
- Not available in special depths

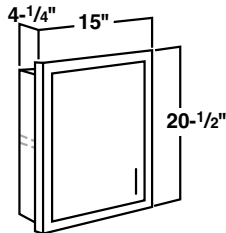


VANITY WALL RECESSED — SINGLE DOOR

See Price Book page 23.

VWR1521 L or R

- Specify L or R hinging or invertible for L or R hinging
- One door
- One adjustable shelf
- Natural Maple interior except for Starlight
- Can be surface or recessed mounted. Designed to fit between wall studs 16" on center
- Not available in special depths



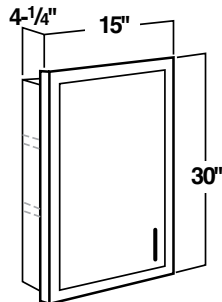
Opening for recessed installation
13-1/2" W x 19-1/4" H x 3-1/2" D

VANITY WALL RECESSED — SINGLE DOOR

See Price Book page 23.

VWR1530 L or R

- Specify L or R hinging or invertible for L or R hinging
- One door
- Two adjustable shelves
- Natural Maple interior except for Starlight
- Can be surface or recessed mounted. Designed to fit between wall studs 16" on center
- Not available in special depths



Opening for recessed installation
13-1/2" W x 28-3/4" H x 3-1/2" D

VANITY TOPS

DENOVA BEGINNINGS® STOCK VANITY TOPS — NATURAL GRANITE AND NATURAL MARBLE

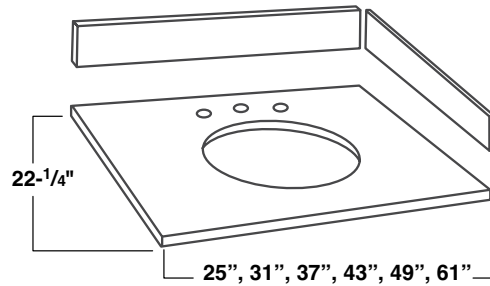
See Price Book page 24.

SINGLE BOWL

4" faucet spread vanity top	Width and Depth
VT2522ES4	25" x 22 1/4"
VT3122ES4	31" x 22 1/4"
VT3722ES4	37" x 22 1/4"
VT4322ES4	43" x 22 1/4"
VT4922ES4	49" x 22 1/4"
VT6122ES4	61" x 22 1/4"

SINGLE BOWL/UBA TUBA AND WHEAT ONLY

8" faucet spread vanity top	Width and Depth
VT2522ES8	25" x 22 1/4"
VT3122ES8	31" x 22 1/4"
VT3722ES8	37" x 22 1/4"
VT4322ES8	43" x 22 1/4"
VT4922ES8	49" x 22 1/4"
VT6122ES8	61" x 22 1/4"

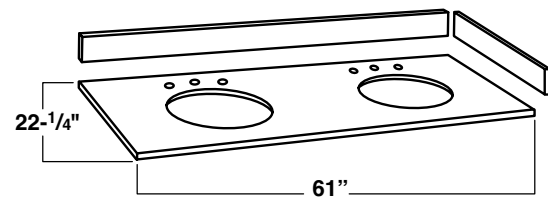


DOUBLE BOWL

4" faucet spread vanity top	Width and Depth
VT6122DBES4	61" x 22 1/4"

DOUBLE BOWL

8" faucet spread vanity top	Width and Depth
VT6122DBES8	61" x 22 1/4"



REPLACEMENT BACKSPLASH

VTBS25ES	Width 25"
VTBS31ES	Width 31"
VTBS37ES	Width 37"
VTBS43ES	Width 43"
VTBS49ES	Width 49"
VTBS61ES	Width 61"

SIDE SPLASH

VTSS22ES	Depth 21"
----------	-----------

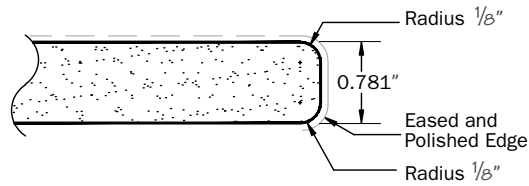
VANITY CABINETS

VANITY TOPS

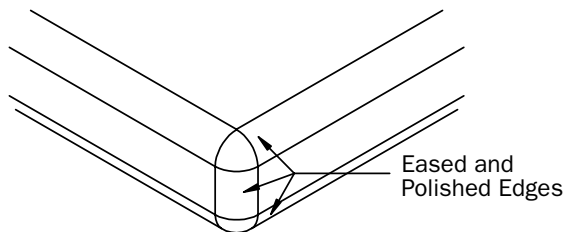
**DENOVA BEGINNINGS® STOCK VANITY TOPS —
NATURAL GRANITE AND NATURAL MARBLE (CONTINUED)**

See Price Book page 24.

EDGE DETAIL



CORNER DETAIL



- Backsplash and one side splash with an eased edge are shipped unattached with the top
 - Side splashes can be used universally for left or right hand applications
 - Additional side splash VTSS22ES is available as an accessory
 - 4" faucet spread available in all colors
 - 8" faucet spread available in Uba Tuba and Wheat color only
 - Tops come with a mounted white vitreous china bowl(s) with an integrated overflow drain
 - Eased front edge profile with eased detail on side edges and bowl edge. Front end side edges are 2cm (3/4") thick
 - The centerline of the sink bowls on the 61" double bowl top is 12 1/2" from the left and right edges to sink center
 - Top, backsplash and side splash are factory polished and sealed on exposed surfaces
 - 1 year limited warranty. See page 40 for warranty details
 - VT2522 tops fit these vanities:
VB24SFH, VB2435SFH, VSB24, VSB2435, VB24*, VB2435*
 - VT3122 tops fit these vanities:
VB30BFH, VB3035BFH, VCD30FH, VCD3035FH, VSB30B, VSB3035B
 - VT3722 tops fit these vanities:
VB36FH, VB3635FH, VSB36-2D, VSB3635-2D, VCD36FH, VCD3635FH, VSB36, VSB3635
 - VT4322 tops fit these vanities:
VB42FH, VB4235FH, VSB42, VSB42-2D, VSB4235-2D, VCD42FH, VCD4235FH
 - VT4922 tops fit these vanities:
VB48FH, VB4835FH, VSB48-2D, VSB4835-2D, VCD48FH, VCD4835FH
 - VT6122 tops fit these vanities:
VB60FH, VB6035BFH, VSB60-2D, VSB6035-2D, VCD60FH, VCD6035FH
 - VT6122 DB tops fit these vanities
VB60FH, VB6035BFH, VSB60-2D*, VSB6035B-2D*, VSB60FH-3D, VSB6035FH-4D
- * Requires conversion of the top drawer(s) to a false front(s).

WOODSTAR® CODE BREAKDOWN FOR VANITY TOPS

4 GR ES UTNON N.NNNN.SST.C. **VT2522ES4**

Door Style Specie Shape Color & Glaze SKU

Door Style="Faucet Spread"	
4	Use for vanity tops only, 4" faucet spread
8	Use for vanity tops only, 8" faucet spread
NSP	Use for backsplash and sidesplash only

Specie="Material"	
GR	Natural Granite
MR	Natural Marble

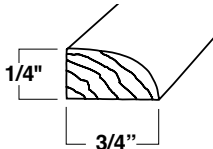
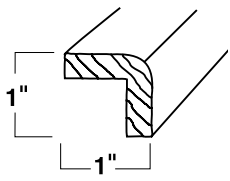
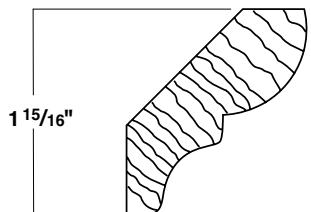
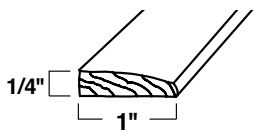
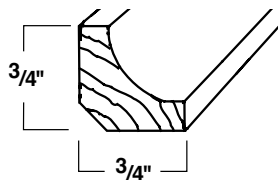
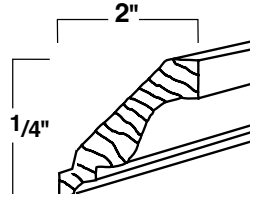
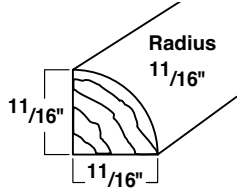
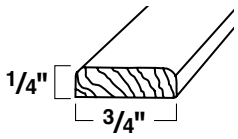
Shape= Edge"	
ES	Eased Edge

Color & Glaze="Color"	
AKNON	Absolute Black
GHNON	Golden Hill
UTNON	Uba Tuba
WTNON	Wheat
WCNON	White Carrara

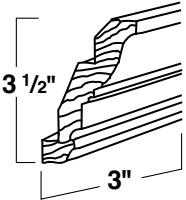
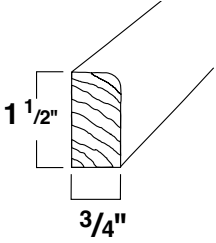
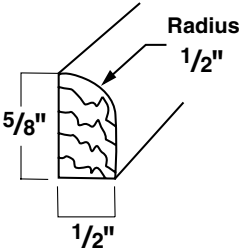
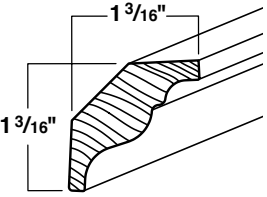
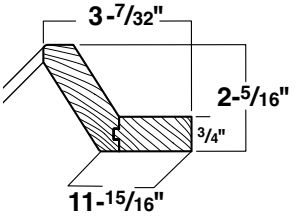
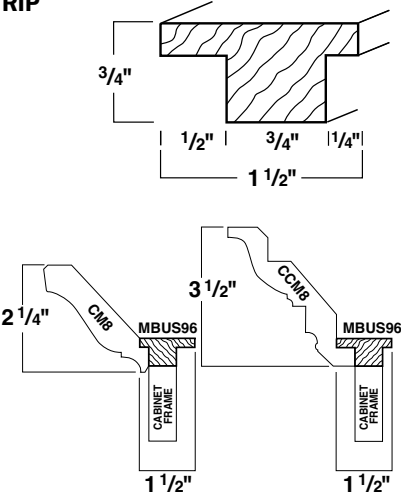
- For 20-20 cross reference, append material and color code below after SKU.
- Example: VT2522ES4GRAK

Color & Glaze="Color"	
GRAK	Natural Granite Absolute Black
GRGH	Natural Granite Golden Hill
GRUT	Natural Granite Uba Tuba
GRWT	Natural Granite Wheat
MRWC	Natural Marble White Carrara

MOLDINGS: White Oak, Birch, and Maple finishes are available in solid wood and print moldings. STARLIGHT AVAILABLE IN PAPER WRAPPED MDF ONLY.

<p>SCRIBE MOLDING See Price Book page 25.</p> <p>SM8 SM8-20 SM8P (Print molding) SM8P-20 (Print molding)</p> <ul style="list-style-type: none"> Starlight is paper wrapped Available in all options listed at top of page Offered in individual 8' lengths or cartons of 20 (160') 	<p>OUTSIDE CORNER MOLDING See Price Book page 25.</p> <p>OSC8 OSC8-10 OSC8P (Print molding) OSC8P-10 (Print molding)</p> <ul style="list-style-type: none"> Starlight is paper wrapped Available in all options listed at top of page Offered in individual 8' lengths or cartons of 10 (80') 
<p>CROWN SOFFIT MOLDING See Price Book page 25.</p> <p>CSM8 CSM8-10</p> <ul style="list-style-type: none"> Available in solid wood White Oak and Birch only. Not available in Maple, Starlight or print molding Birch also available in glaze finishes Offered in individual 8' lengths or cartons of 10 (80') 	<p>WIDE SCRIBE MOLDING See Price Book page 25.</p> <p>WSM8 WSM8-10 WSM8P (Print molding) WSM8P-10 (Print molding)</p> <ul style="list-style-type: none"> Starlight is paper wrapped Available in all options listed at top of page Offered in individual 8' lengths or cartons of 10 (80') 
<p>INSIDE CORNER MOLDING See Price Book page 25.</p> <p>ICM8 ICM8-10 ICM8P (Print molding)* ICM8P-10 (Print molding)*</p> <ul style="list-style-type: none"> Starlight is paper wrapped Available in all options listed at top of page Offered in individual 8' lengths or cartons of 10 (80') <p>* Print is 7/8" x 7/8"</p> 	<p>CROWN MOLDING See Price Book page 25.</p> <p>CM8 CM8-10 CM8P (Print molding)* CM8P-10 (Print molding)* CM12 (Starlight only)** CM12-10 (Starlight only)**</p> <ul style="list-style-type: none"> Birch also available in glaze finishes Maple, White Oak and Birch offered in individual 8' lengths or cartons of 10 (80') Printed molding not available with V-notch. For use with MBUSS96 ** Starlight offered in individual 12' lengths or cartons of 10 (120') 
<p>QUARTER ROUND MOLDING See Price Book page 25.</p> <p>QR8 QR8-10</p> <ul style="list-style-type: none"> Starlight is paper wrapped Available in solid wood White Oak, Maple and Birch finishes only. Not available in print molding Offered in individual 8' lengths or cartons of 10 (80') 	<p>NARROW BATTEN MOLDING See Price Book page 26.</p> <p>NBM8 NBM8-20 NBM8P (Print molding)* NBM8P-20 (Print molding)*</p> <ul style="list-style-type: none"> Starlight is paper wrapped Available in all options listed at top of page Offered in individual 8' lengths or cartons of 20 (160') * Print molding is 1/8" x 11/16" 

MOLDINGS: White Oak, Birch, and Maple finishes are available in solid wood and print moldings. STARLIGHT AVAILABLE IN PAPER WRAPPED MDF ONLY.

<p>CLASSIC CROWN MOLDING See Price Book page 26.</p> <p>CCM8 CCM8-2 CCM12 (Starlight only)* CCM12-2 (Starlight only)*</p> <ul style="list-style-type: none"> Available in solid wood White Oak, Maple and Birch finishes only. Not available in print molding Birch also available in glaze finishes Maple, White Oak and Birch offered in individual 8' lengths or cartons of 2 (16') * Available in Starlight, offered in individual 12' lengths or cartons of 2 (24') 	<p>COUNTERTOP MOLDING See Price Book page 26.</p> <p>CTR8 CTR8-10</p> <ul style="list-style-type: none"> Available in solid wood White Oak, Maple and Birch finishes only Not available in print molding or Starlight Offered in individual 8' lengths or cartons of 10 (80') 
<p>SHOE MOLDING See Price Book page 26.</p> <p>SHO8 SHO8-25 SHO8P (Print molding)* SHO8P-25 (Print molding)*</p> <ul style="list-style-type: none"> Available in all options listed at top of page Offered in individual 8' lengths or cartons of 25 (200') * Print Molding is 15/32" x 23/32" * Starlight is 1/2" x 11/16" 	<p>SOFFIT CROWN MOLDING See Price Book page 26.</p> <p>SCM8 SCM8-10</p> <ul style="list-style-type: none"> Available in Starlight and Maple only Offered in individual 8' lengths or cartons of 10 (80') Not available in print molding <p><i>Gray color coding indicates new product, size or code.</i></p> 
<p>ANGLE CROWN MOLDING See Price Book page 26.</p> <p>ACM8 ACM8-6</p> <ul style="list-style-type: none"> Not available in print molding or Starlight Available in solid wood Maple and Birch finishes only Offered in individual 8' lengths or cartons of 6 (48') 	
<p>MOLDING BUILD-UP STRIP See Price Book page 26.</p> <p>MBUS96 MBUS96-6</p> <ul style="list-style-type: none"> Unfinished soft wood Designed to make installing Classic Crown Molding and Crown Molding easier by attaching directly to strip eliminating face nailing to cabinet "V" notch on back of Crown Molding required Offered in individual 8' lengths or cartons of 6 (48') 	

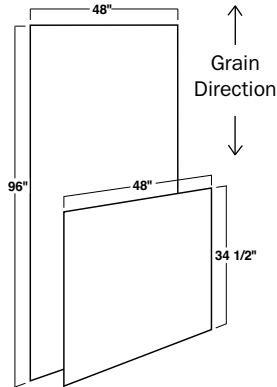
PANELS

PANEL BACKER — PAPER LAMINATE

See Price Book page 27.

	WIDTH X HEIGHT
PB4896P	48" x 96"
PB4896P-2	
PB4834P	48" x 34-1/2"
PB4834P-2	

- 9/64" (.142) thick Medium Density Fiberboard (MDF) panel with laminate on one side
- Offered individually or 2 per carton

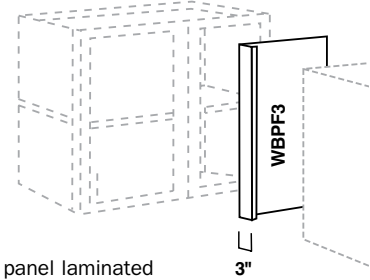


WALL BLIND PANEL WITH FILLER

See Price Book page 28.

WBPF3-30
WBPF3-42

- 11-1/4" deep
- Used with WBC cabinets to provide clearance in the corner and cover the face frame opening of blind area
- Trim length as required
- 3" wide solid hardwood stile attached to panel.
- Stile matches finish ordered
- 1/4" thick engineered wood panel laminated on side against cabinet



END PANEL — PAPER LAMINATE

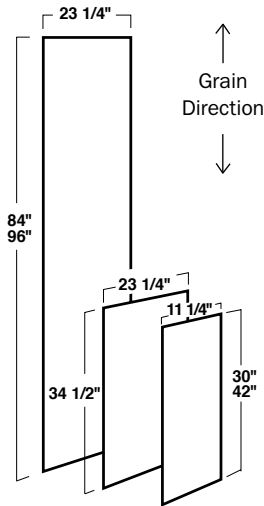
See Price Book page 27.

WALL	WIDTH X HEIGHT
WEP30P	11-1/4" x 30"
WEP30P-10	
WEP42P	11-1/4" x 42"
WEP42P-10	

BASE	WIDTH X HEIGHT
BEP34P	23-1/4" x 34-1/2"
BEP34P-10	

TALL	WIDTH X HEIGHT
TEP84P	23-1/4" x 84"
TEP84P-2	
TEP96P	23-1/4" x 96"
TEP96P-2	

- 9/64" (.142) thick Medium Density Fiberboard (MDF) panel with laminate on one side
- WEP30P, WEP42P and BEP34P offered individually or 10 per carton
- TEP84P and TEP96P offered individually or 2 per carton

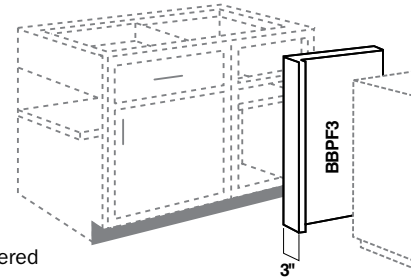


BASE BLIND PANEL WITH FILLER

See Price Book page 28.

BBPF3

- 23-1/4" deep
- Used with BBC cabinets to provide clearance in the corner and cover the face frame opening of blind area
- 3" wide solid hardwood stile attached to panel.
- Stile matches finish ordered
- 1/4" thick engineered wood panel laminated on side against cabinet



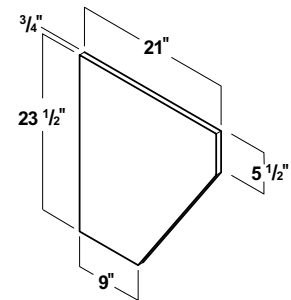
UNIVERSAL DESK END PANEL

See Price Book page 28.

UDEP2124
UDEP2124P (Starlight only)*

- Reversible for L or R end
- 3/4" plywood with hardwood veneer 2 sides on stain color
- Edge banding on front edges
- * Starlight is 3/4" engineered wood laminated on two sides

Gray color coding indicates new product, size or code.

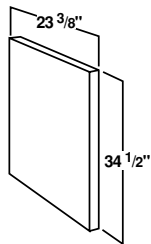


SINK FRONT END PANEL

See Price Book page 27.

SFEP

- Outside matches finished ordered; inside is Natural Maple or Starlight
- Use with "cabinet front only" (CSO) sink base on end of run
- Trimmable
- 3/8" thick engineered wood, laminated two sides
- Notch in field for toe space
- Edge band on front

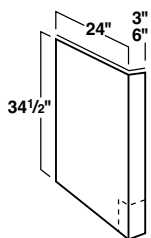


BASE END PANEL FILLER

See Price Book page 27.

BEPF3
BEPF6

- Panel outside matches finish ordered; inside is Natural Maple or Starlight
- Trimmable
- Notch in field for toe space
- 3" or 6" wide solid hardwood stile attached to panel
- 3/8" thick engineered wood panel laminated on two sides



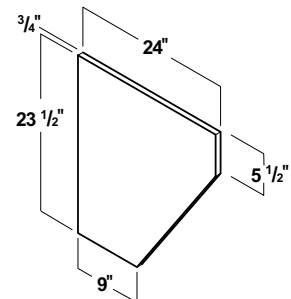
UNIVERSAL DESK END PANEL

See Price Book page 28.

UDEP2424
UDEP2424P (Starlight only)*

- Reversible for L or R end
- 3/4" plywood with hardwood veneer 2 sides on stain color
- Edge banding on front edges
- * Starlight is 3/4" engineered wood laminated on two sides

Gray color coding indicates new product, size or code.



PANELS

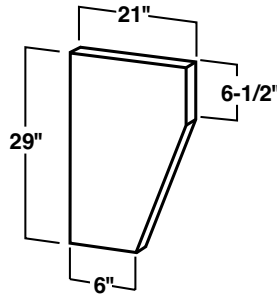
DESK END PANEL

See Price Book page 28.

DEP2129

DEP2129P (Starlight only)*

- Reversible for L or R end
- 3/4" plywood with hardwood veneer 2 sides with stain color
- Edge banding on front edges
- * Starlight is 3/4" engineered wood laminated both sides



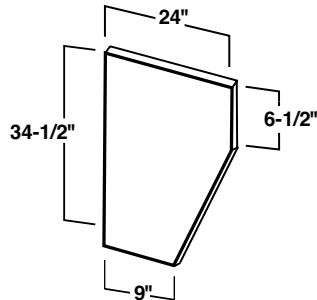
DESK END PANEL

See Price Book page 28.

DEP2434

DEP2434P (Starlight only)*

- Reversible for L or R end
- 3/4" plywood with hardwood veneer 2 sides with stain color
- Edge banding on front edges
- * Starlight is 3/4" engineered wood laminated both sides



REFRIGERATOR END PANEL WITH ATTACHED FILLER — 12" OR 24" DEEP (84" OR 96" HIGH)

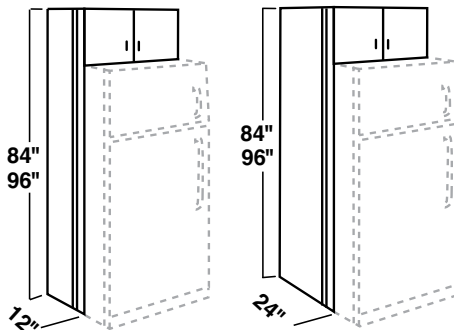
See Price Book page 28.

12" DEEP

REPF1-5-1284
REPF1-5-1296

24" DEEP

REPF1-5-2484
REPF1-5-2496



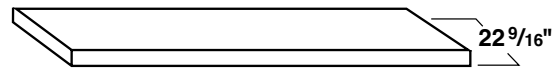
- Trimmable
- 1-1/2" solid wood stile attached to panel
- 1/2" thick engineered wood panel laminated both sides
- Panel outside matches finish ordered; inside is Natural Maple or Starlight

BASE SHELVING — FULL DEPTH

See Price Book page 29.

- BS1224 Laminate 22-9/16 x 10-1/4 x 5/8
- BS1524 Laminate 22-9/16 x 13-1/4 x 5/8
- BS1824 Laminate 22-9/16 x 16-1/4 x 5/8
- BS2124 Laminate 22-9/16 x 19-1/4 x 5/8
- BS2424 Laminate 22-9/16 x 22-1/4 x 5/8
- BS2724 Laminate 22-9/16 x 25-1/4 x 5/8
- BS3024 Laminate 22-9/16 x 28-1/4 x 5/8
- BS3324 Laminate 22-9/16 x 31-1/4 x 5/8
- BS3624 Laminate 22-9/16 x 34-1/4 x 5/8
- BS3924 Laminate 22-9/16 x 37-1/4 x 5/8
- BS4524 Laminate 22-9/16 x 43-1/4 x 5/8
- BS4824 Laminate 22-9/16 x 46-1/4 x 5/8

- 5/8" engineered wood
- Laminated two sides
- Edge banded front only
- Available in Natural Maple or Starlight

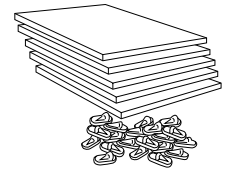


VANITY LINEN SHELF KIT — 21" DEEP

See Price Book page 29.

- | | |
|---------------|---------------|
| 5/8" thick | 3/4" thick |
| VLSK1521-5/8 | VLSK1521-3/4 |
| VLSK1821-5/8 | VLSK1821-3/4 |
| VLSK2421-5/8 | VLSK2421-3/4 |
| VLSK3621-5/8* | VLSK3621-3/4* |

- Kit includes 5 engineered wood laminate shelves and 20 shelf supports
- Laminated top and bottom with matching edgebanding on front edge
- Available in Natural Maple or Starlight
- 19 19/32" deep
- For use in vanity linen cabinets (VLC)
- * 36" wide shelves are plywood laminated on both sides

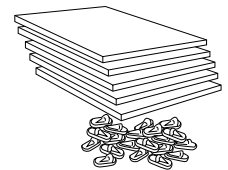


UTILITY SHELF KIT — 12" AND 24" DEEP

See Price Book page 29.

- | | |
|--------------|--------------|
| 5/8" thick | 3/4" thick |
| USK1512-5/8 | USK1512-3/4 |
| USK1812-5/8 | USK1812-3/4 |
| USK2412-5/8 | USK2412-3/4 |
| USK3612-5/8* | USK3612-3/4* |
| USK1524-5/8 | USK1524-3/4 |
| USK1824-5/8 | USK1824-3/4 |
| USK2424-5/8 | USK2424-3/4 |
| USK3624-5/8* | USK3624-3/4* |

- Kit includes 5 engineered wood laminate shelves and 20 shelf supports
- Laminated top and bottom with matching edgebanding on front edge
- Available in Natural Maple or Starlight
- 12" utility shelves are 10-19/32" deep
- 24" utility shelves are 22-19/32" deep
- For use in vanity linen cabinets (VLC)
- * 36" wide shelves are plywood laminated on both sides



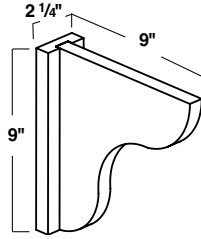
ACCESSORIES

COUNTERTOP SUPPORT BRACKET (9" HIGH)

See Price Book page 30.

CTSB
CTSB-2

- 3/4" thick solid hardwood
- Offered individually or 2 per carton

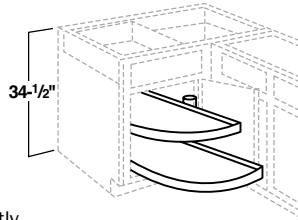


BASE SWING OUT SHELVES

See Price Book page 30.

BSOS42
BSOS45

- BSOS42 fits BBC42/45 and BSOS45 fits BBC45/48 and BBC48/51 cabinets
- Two white plastic half-moon shelves that swing out independently
- Bottom shelf slides forward for easy access
- Universal for L or R blind applications
- One assembly per carton
- Weight capacity: BSOS42 — 38 lbs.; BSOS45 — 45 lbs.

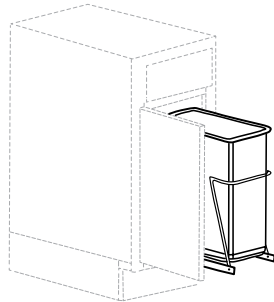


BASE WASTEBASKET FLOOR MOUNT KIT — SINGLE BASKET

See Price Book page 30.

BWBFMK-1

- Can be used in cabinets B15 and wider
- Easy to clean removable white plastic bin
- Container has 30 qt. capacity
- Overall size is 8-1/2" wide x 19-1/2" high x 22" deep
- 3/4 extension white slide platform and guides
- One assembly per carton

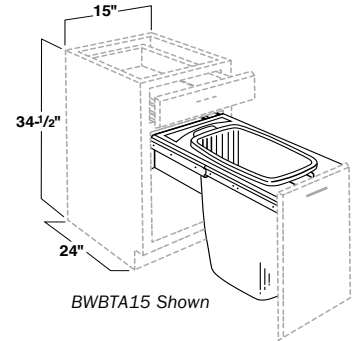


BASE WASTEBASKET TOP MOUNT ASSEMBLY

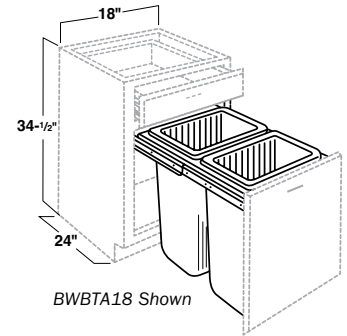
See Price Book page 30.

BWBTA15
BWBTA18

- Uses door from existing cabinet
- 15" includes one removable white plastic 35 qt. trash bin and one plastic tray for garbage bag storage
- 18" includes two removable white plastic 35 qt. trash bins
- One assembly per carton



BWBTA15 Shown



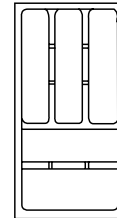
BWBTA18 Shown

CUTLERY DRAWER INSERT

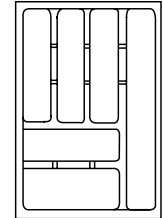
See Price Book page 30.

CDI15
CDI15-10
CDI18
CDI18-10

- White polymer one piece trays
- CDI15 fits B15, BD15-3D and -4D
- CDI18 fits B18, BD18-3D and -4D
- Offered individually or 10 per carton



CDI15



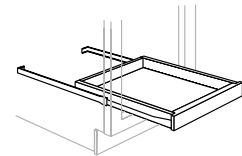
CDI18

ROLL-OUT TRAY KIT

See Price Book page 30.

ROT1524 ROT3024B
ROT1824 ROT3624B
ROT2424 ROT4524

- Solid hardwood construction tray core; natural finish only
- ROT's fit in 24" deep base and utility cabinets
- Kit includes guides and screws
- Not available in special depths
- One kit per carton
- Double-door cabinets with center mullion require two kits if installing tray on each side.



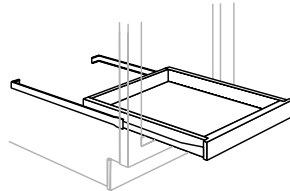
CABINET WIDTH	BASE 24" Deep
15	ROT1524
18, 36	ROT1824
24, 48	ROT2424
30B	ROT3024B
36B	ROT3624B
45	ROT4524

ACCESSORIES

BASE AND VANITY TRAY KITS

See Price Book pages 32 - 31.

BASE	VANITY
BTK12	VTK12
BTK15	VTK15
BTK18	VTK18
BTK21	VTK21
BTK24	VTK24
BTK27B	VTK27B
BTK30B	VTK30B
BTK33	VTK33
BTK39	VTK39
BTK45	VTK45
BTK36/39	



- Natural Maple laminate
- Not available in special depths
- One kit per carton
- Kit includes guides and screws
- Double-door cabinets with center mullion require two kits if installing tray on each side. Example: for B36 cabinet with center mullion, order two BTK18 kits

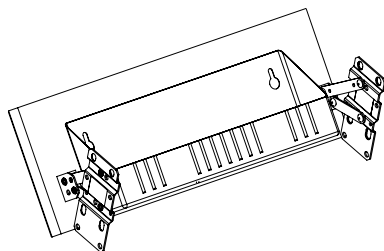
CABINET WIDTH	BASE 24" Deep	VANITY 21" Deep
12	BTK12	VTK12
15	BTK15	VTK15
18, 36	BTK18	VTK18
21, 42	BTK21	VTK21
24, 48	BTK24	VTK24
27B	BTK27B	VTK27B
30B	BTK30B	VTK30B
33	BTK33	VTK33
39	BTK39	VTK39
45	BTK45	VTK45
BBC36/39	BTK36/39	

UTILITY TRAY KIT

See Price Book page 31.

- UTK15
- UTK15-10
- UTK27
- UTK27-10

- Uses existing drawer front
- Kit includes fully-concealed self-closing hinges (2 per tray), installation hardware and instructions
- UTK15 includes two 11" wide white polymer trays for use in cabinets 15" thru 24" and 42" thru 48" wide
- UTK27 includes one 22" wide white polymer tray for use in cabinets 27" thru 39" wide
- Offered individually or 10 per carton

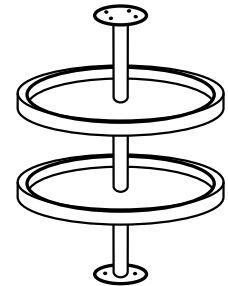


LAZY SUSAN SHELF KIT

See Price Book page 31.

LS2

- Two 18" diameter white plastic independently revolving shelves
- Includes center post, mounting hardware and Instructions
- Center post adjusts from 26" to 31" in height
- Designed to fit WA2430, 36 and 42 wall angle cabinets and the PWA2430 peninsula cabinet
- WA36 and WA42 cabinets require top adjustable shelf to be installed for post mounting
- One assembly per carton

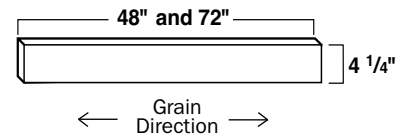


VALANCE — CONTEMPORARY

See Price Book page 32.

- V48C
- V72C

- Solid wood, 3/4" thick
- Square edges
- Trimmable
- One per carton



FILLERS

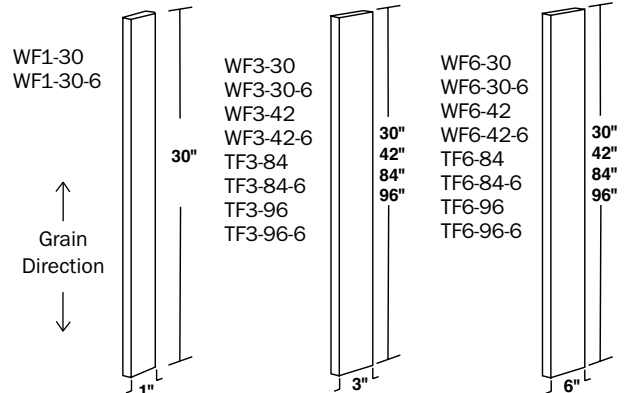
See Price Book page 32.

- Finished on face surface only
- Offered individually or 6 per carton

1" Wall Filler

3" Wall and Tall Fillers

6" Wall and Tall Fillers

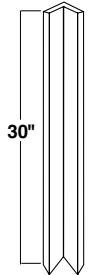


ACCESSORIES

WALL FILLER CORNER
 See Price Book page 33.

WFC3-30
 WFC3-30-6

- For use with wall, base and vanity cabinets
- Must be cut down for vanity applications
- 3" x 3" face surfaces
- Used to provide clearance in 90° corners when corner space is not used
- Offered individually or 6 per carton
- Order corner filler toe kick separately for base and vanity cabinet applications

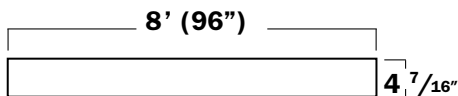


NOTES

TOEKICK COVER — LAMINATE
 See Price Book page 33.

TKCL8
 TKCL8-25

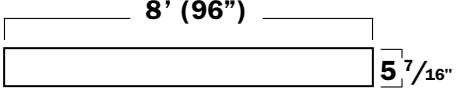
- 1/8" thick laminated hardboard
- Specify finish
- Offered individually or 25 per carton



TOEKICK COVER UNIVERSAL — LAMINATE
 See Price Book page 33.

TKCUL8

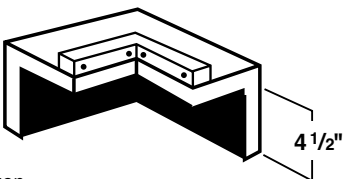
- 1/8" thick laminated hardboard
- Specify finish
- One per carton



CORNER FILLER TOEKICK
 See Price Book page 33.

CFTK3
 CFTK3-6

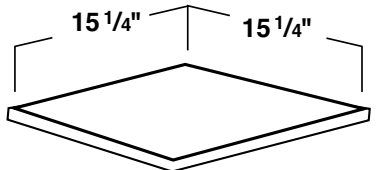
- Used in 90° corners to fill the toe space opening created by using the Wall Filler Corner (WFC3-30) with base and vanity cabinets
- Order WFC3-30 separately
- Offered individually or 6 per carton



WALL CORNER CLOSURE
 See Price Book pages 33.

WCC
 WCC-10

- Specify Natural Maple or Starlight
- 1/2" thick laminated engineered wood
- Offered individually or 10 per carton






































SALES SAMPLE DOOR
 SD1215N

VANITY FRONT SAMPLES
 VF15

- Vanity fronts available in square styles

DECORATIVE HARDWARE

See Price Book page 34.

	PRODUCT CODE	DESCRIPTION		PRODUCT CODE	DESCRIPTION
	P02112-SS-C	Flat End Bar Pull Stainless Steel 238mm Long 7"(178mm) Center to Center		P13101-PC-C	Pull Polished Chrome 3"
	P02140-SS-C	Flat End Bar Knob Stainless Steel 40mm Long with Stop		P50121-PC-C7	Spoon Foot Pull Polished Chrome 3"
	P02164-SS-C	Flat End Bar Pull Stainless Steel 115mm Long 64mm Center to Center		P50153-PC-C7	Round Knob Polished Chrome 1 1/8"
	P39955-SN-C	Half Round Foot Pull Satin Nickel 3"		P65010-CHR-A	Concave Round Knob Chrome 1"
	P83506-SN-C	Fusilli Pull Satin Nickel 96mm		PN0395-PC-C	Medium Football Knob Polished Chrome 30mm
	PN0393-SN-C	Large Football Knob Satin Nickel 35mm		P95712-W-C	Round Knob White Ceramic 1 1/4"
	PN0402-SN-C	Rope Edged Pull Satin Nickel 96 mm		PN0528-AP-C	Small Birdcage Oval Knob Antique Pewter 50mm
	PN0409-SN-C	Perimeter Knob Satin Nickel 30mm		PN0534-AP-C	Birdcage Wire Pull Antique Pewter 96mm
	PN0602-SN-C	Cup Pull Satin Nickel 64mm		PN5024-ACN-C7	Two Tone Pull Antique Copper Nickel 96mm Center to Center
	PN0293-SN-C	Rope Edged Knob Satin Nickel 30mm		PN5025-ACN-C7	Two Tone Knob Antique Copper Nickel 35mm
	P50154-STN-C	Round Knob Sterling Nickel 1 1/4"		P39955-AB-C	Half Round Foot Pull Antique Brass 3"
	P83506-BLN-C	Fusilli Pull Black Nickel 96mm		P775A0-AB-C	Sundial Round Knob Antique Brass 1 3/8"
	P50150-BLC-C	Round Knob Black Chrome 1 1/4"		P39955-PB-C7	Half Round Foot Pull Polished Brass 3"
	PBF304-BSP-C	Totem Knob Satin Pewter 33mm		P50153-PB-C7	Round Knob Polished Brass 1 1/8"
	PBF305-BSP-C	Totem Pull Satin Pewter 96mm		P39955-OB-D-C	Half Round Foot Pull Oil Rubbed Bronze 3"
	PN1291-BSP-C	French Tassel Knob Brushed Satin Pewter 33mm		PN0393-OB-C	Large Football Knob Oil Rubbed Bronze 35mm
	PN1293-BSP-C	French Tassel Pull Brushed Satin Pewter 3" Center to Center		P45005-VBR-C	Slender Pull Venetian Bronze 96mm
				PN0408-VBR-C	Ridge Knob Venetian Bronze 30mm

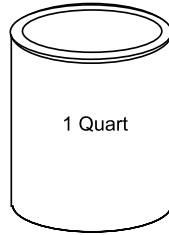
REPAIR AND REPLACEMENT PARTS

QUARTS

See Price Book page 35.

- QST • Quart of Stain
- QP • Quart of Paint - Starlight
- QCST • Quart of Clear Sealer Topcoat

Standard stain finishes include sealer coat and topcoat. Glazed finishes require glaze to be applied over topcoat then second topcoat must be applied.



TOUCH-UP SPRAY CAN — STARLIGHT

See Price Book page 35.

- | | | |
|---------------|----------------|-------------------------------|
| PRIMER | TOPCOAT | • 13 oz. spray can |
| TSCP | TSCT | • Available in Starlight only |
| TSCP-12 | TSCT-12 | • Each or 12 per carton |

FILL STICK

See Price Book page 35.

- FS
- FS-12

- Specify finish
- Each or 12 per carton

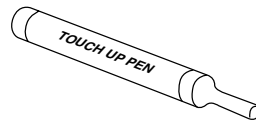


TOUCH-UP PEN

See Price Book page 35.

- TP
- TP-12

- Specify finish
- Each or 12 per carton



TOUCH-UP KIT

See Price Book page 35.

- TUK
- Kit includes 1-Fill Stick, 1-Touch-up Pen and 1-Blend-it
- Specify finish

CABINET REPAIR KIT — STARLIGHT

See Price Book page 35.

CRK-SL

- | | |
|---|---------------------------|
| REPAIRS: Scratches and Chipped Areas | Finish Edge Cut-Through |
| Open Joints | Burn Marks |
| Cracks, Cavities | Spray Finish Applications |
| Finish Runs | Putty Applications |
| Rough Finish | |

- Kit includes 1-13 oz. Can Touch-up primer, 1-13 oz. Can Touch-up topcoat, 1-4 oz. Can Soft White Putty, 1-1 oz. Tube SeamFil, 1-Touch-up Marker, 1-Fill Stick, 1-Piece 220x Sand Paper and a 3 page Instruction Sheet
- Available in Starlight only

PUTTY — STARLIGHT

See Price Book page 35.

PUTTY

- 4 oz. jar
- Available in Starlight only



Yellowing: Use only materials provided by Quality Cabinets. Other materials may match finish at time of application; however, over time they may change in color. Materials supplied by Quality Cabinets are color matched, formulated and tested for yellowing.

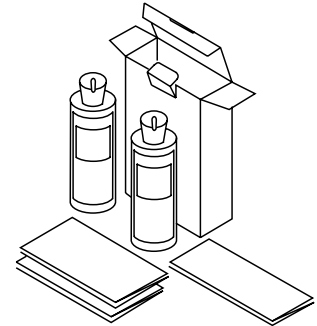
CABINET CARE KIT

See Price Book page 35.

CCK

Kit includes the following items:

- One 8 ounce squeeze bottle of concentrated wood cleaner for cabinets/furniture. Add 4 ounces to one gallon of warm water
- One 8 ounce squeeze bottle of cabinet/furniture polish and restorer
- Two 13" x 12" cleaning and polishing cloths to be used in conjunction with the polish and restorer solution
- One 17" x 12" dusting cloth specifically treated to pick up dust and hold the dust in the cloth



CABINET CLEANING AND POLISHING CLOTH

See Price Book page 36.

CCPC

- 25 – 13" x 12" cleaning and polishing cloths

CABINET DUSTING CLOTH

See Price Book page 36.

CDC

- 6 – 17" x 12" dusting cloths specifically treated to pick up dust and hold the dust in the cloth

INSTALLATION SCREW

See Price Book page 36.

INSTALLSCREWS-100

- #10 x 2-1/2" No. 2 square drive washer head screw
- Used to secure cabinets to the wall and face frames together
- 100 screws per carton

INSTALLSCREWPW-6

- #10 x 3-1/2" No. 2 square drive washer head screw
- Used to secure Peninsular Wall (PW) cabinets to ceiling joists thru the face frame rail
- 6 screws per carton (enough for one typical cabinet installation)

BACK PLUGS

See Price Book page 36.

- BACKPLUG2H/50
- BACKPLUG2H/125
- BACKPLUG2H/10000

- Clear plastic plugs for base and vanity cabinet back panel factory drilled holes
- Each plug fills the pair of 10mm diameter holes
- 50, 125 or 10,000 per carton



PREP FOR INSERT DOORS

TRADITIONAL OVERLAY — MULLION AND DOOR CONVERSION CHART FOR DERBY, GENEVA2, HARBORVIEW2, AND SEACREST2

CABINET CODE	FRAME	MULLION	SIZE
W1830	PF1628	PM1628	16-1/4 x 28
W3630 †	PF1628	PM1628	16-1/4 x 28
WR1830	PF1628	PM1628	16-1/4 x 28
BK1830	PF1628	PM1628	16-1/4 x 28
PW1830 †	PF1628	PM1628	16-1/4 x 28
PW3630 ††	PF1628	PM1628	16-1/4 x 28
U1896*	PF1628	PM1628	16-1/4 x 28
U189624*	PF1628	PM1628	16-1/4 x 28
VLC1896*	PF1628	PM1628	16-1/4 x 28
VLC189618*	PF1628	PM1628	16-1/4 x 28
W1836	PF1634	PM1634	16-1/4 x 34
W3636 †	PF1634	PM1634	16-1/4 x 34
BK1836	PF1634	PM1634	16-1/4 x 34
W1842	PF1640	PM1640	16-1/4 x 40
W3642 †	PF1640	PM1640	16-1/4 x 40
BK1842	PF1640	PM1640	16-1/4 x 40
WA2430	PF1528WA	PM1528WA	14-3/4 x 28
WA2730	PF1528WA	PM1528WA	14-3/4 x 28
WCA1230	PF1528	PM1528	14-3/4 x 28
W3330 †	PF1528	PM1528	14-3/4 x 28
WBC30/3330	PF1528	PM1528	14-3/4 x 28
OCU3396* †	PF1528	PM1528	14-3/4 x 28
WA2436	PF1534WA	PM1534WA	14-3/4 x 34
WA2736	PF1534WA	PM1534WA	14-3/4 x 34
WCA1236	PF1534	PM1534	14-3/4 x 34
W3336 †	PF1534	PM1534	14-3/4 x 34
WBC30/3336	PF1534	PM1534	14-3/4 x 34
WA2442	PF1540WA	PM1540WA	14-3/4 x 40
WA2742	PF1540WA	PM1540WA	14-3/4 x 40
WCA1242	PF1540	PM1540	14-3/4 x 40
W3342 †	PF1540	PM1540	14-3/4 x 40
WBC30/3342	PF1540	PM1540	14-3/4 x 40

* Top Door only

† Order 2 for cabinet

†† Order 4 for cabinet

FULL OVERLAY — MULLION DOOR CONVERSION CHART FOR KITTERY

CABINET CODE	FRAME	MULLION	SIZE
W1830	PF1829	N/A	17-5/8 x 29-1/4
W3630 †	PF1829	N/A	17-5/8 x 29-1/4
WR1830	PF1829	N/A	17-5/8 x 29-1/4
BK1830	PF1829	N/A	17-5/8 x 29-1/4
PW1830 †	PF1829	N/A	17-5/8 x 29-1/4
PW3630 ††	PF1829	N/A	17-5/8 x 29-1/4
U1896*	PF1829	N/A	17-5/8 x 29-1/4
U189624*	PF1829	N/A	17-5/8 x 29-1/4
VLC1896*	PF1829	N/A	17-5/8 x 29-1/4
VLC189618*	PF1829	N/A	17-5/8 x 29-1/4
W1836	PF1835	N/A	17-5/8 x 35-1/4
W3636 †	PF1835	N/A	17-5/8 x 35-1/4
BK1836	PF1835	N/A	17-5/8 x 35-1/4
W1842	PF1841	N/A	17-5/8 x 41-1/4
W3642 †	PF1841	N/A	17-5/8 x 41-1/4
BK1842	PF1841	N/A	17-5/8 x 41-1/4
WA2430	PF1529WA	N/A	14-5/8 x 29-1/4
WA2730	PF1529WA	N/A	14-5/8 x 29-1/4
WCA1230	PF1629	N/A	16-1/8 x 29-1/4
W3330 †	PF1629	N/A	16-1/8 x 29-1/4
WBC30/3330	PF1629	N/A	16-1/8 x 29-1/4
OCU3396* †	PF1629	N/A	16-1/8 x 29-1/4
WA2436	PF1535WA	N/A	14-5/8 x 35-1/4
WA2736	PF1535WA	N/A	14-5/8 x 35-1/4
WCA1236	PF1635	N/A	16-1/8 x 35-1/4
W3336 †	PF1635	N/A	16-1/8 x 35-1/4
WBC30/3336	PF1635	N/A	16-1/8 x 35-1/4
WA2442	PF1541WA	N/A	14-5/8 x 41-1/4
WA2742	PF1541WA	N/A	14-5/8 x 41-1/4
WCA1242	PF1641	N/A	16-1/8 x 41-1/4
W3342 †	PF1641	N/A	16-1/8 x 41-1/4
WBC30/3342	PF1641	N/A	16-1/8 x 41-1/4

* Top Door only

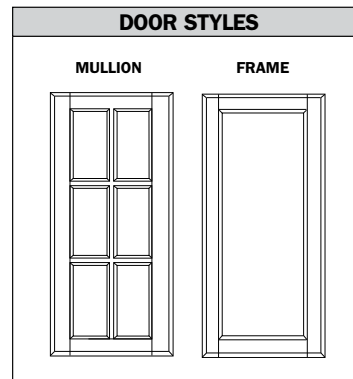
† Order 2 for cabinet

†† Order 4 for cabinet

- Doors are shipped with appropriate number of hinges and mounting screws
- **Glass (insert) is not included**
- Use clear silicone to install glass, not included

MULLION Light Configuration

2 across x 3 down



CABINET SPECIFICATION DETAILS

WOODSTAR® CABINETS

Woodstar® Cabinets make better use of nature's hardwood, while providing a quality product that is value priced. The wide range of wood colors and grain variations are natural characteristics of the wood and not a defect.

CABINET FRAMES

3/4" thick, kiln dried, solid hardwood joined with mortise and tenon or dowel construction.

END PANELS

3/8" thick industrial grade engineered wood is permanently finished on 2 sides with a laminate resistant to water and most household chemicals. End panels are machined to accept tops, bottoms, and backs. Ends are drilled to accept adjustable shelves.

CABINET TOPS AND BOTTOMS

1/2" thick industrial grade engineered wood is permanently finished on 2 sides with a laminate resistant to water and most household chemicals.

FLOORS

1/2" thick industrial grade engineered wood is permanently finished on 1 side with a laminate resistant to water and most household chemicals.

SHELVES

5/8" thick industrial grade engineered wood is permanently finished on 2 sides for full depth shelves and 1 side for half-depth base cabinet shelving with a laminate resistant to water and most household chemicals. Front edge is edge banded with melamine banding. Wall and Base cabinets have adjustable shelves supported by adjustable shelf clips.

Shelves in base cabinets 27" wide and wider have a matching full-length support apron secured to the underside near the front edge for additional support.

BOOKCASE SHELVES

3/4" thick engineered wood, permanently laminated two sides to match exterior finish of cabinet. All bookcase units have adjustable shelves. Front edge is edge banded.

WALL BACKS

3/8" thick engineered wood finished on one side with a laminate resistant to water and household chemicals. Full-length dadoes in back allow tops and bottoms to be captured, stapled and glued.

BASE BACKS

1/4" thick engineered wood finished on one side with a laminate resistant to water and household chemicals. Extends full-length to floor.

WALL HANGRAILS

3/8" thick engineered wood full-length across top and bottom secured with staples.

BASE HANGRAILS

11/16" solid pine or Douglas-fir. Ends are rabbeted to join cabinet ends. Bottom edge is rabbeted to join back.

DRAWER GUIDES

75 pound rated drawer guide system, side mounted, 3/4 extension with self adjusting mounting brackets at rear. Drawer slides are fastened to the drawer box with screws.

DRAWER FRONTS

Drawer fronts are either 3/4" thick glued-up solid hardwood or 5/8" thick medium density fiberboard (MDF) with thermofused foil on the face and edges and melamine backside using the same materials as the corresponding door style.

DRAWER BOX

1/2" thick sides, fronts and backs of industrial grade engineered wood. Top edges are finished with melamine banding. Side surfaces are finished with a laminate resistant to water and most household chemicals. 1/4" thick engineered wood bottom panel is finished on one side with same laminate. Laminate/edgebanding finish is Natural Maple including Geneva2 cabinets.

Drawer sides are rabbeted to join the drawer box fronts and backs. Each corner is joined with white glue and pinned.

ALL WOOD DRAWER BOX OPTION

5/8" solid wood sides with rabbeted joints, nominal 1/8" plywood bottom and side mount 3/4 extension drawer slides.

OPTIONAL WOOD DRAWER WITH UNDERMOUNT GUIDE SYSTEM

3/4" sides, fronts and backs are solid hardwood. Drawer sides, fronts and backs are joined with half blind dovetail joints. These drawers have a capacity rating of 75 lbs.

Nominal 1/8" plywood drawer bottom has a laminate surface for easy cleaning. Drawer bottom is captured by a groove in the drawer sides, front and back along all four edges.

Hardwood drawer components are finished with clear sealer and topcoat. Full extension soft close undermount guide system is concealed, self closing and can be adjusted to align the drawer head.

TOEKICK

1/2" thick industrial grade engineered wood. Toekick extends from floor to bottom of cabinet, closing the toe kick area. Toekick cover is required and sold separately.

HINGES

All traditional overlay doors have 2-way European style, fully concealed, self closing hinges with a 105° opening. Note: All full overlay door styles and traditional overlay butt door cabinets have 6-way adjustable hinges. Some corner cabinets using concealed hinges will have hinges with wider opening capacity for improved access.

STARLIGHT FINISH

Starlight components have two coats of primer applied. They are oven-cured and sanded. Starlight topcoat is applied and oven cured. (All Woodstar® finishes are formulated to resist yellowing - all finishes change with time - exposure to sunlight causes premature aging). To prevent discoloration of finish, protection from appliance heat is important.

NOTE: Self cleaning ovens generate high temperatures.

WOOD FINISHES

Wood component surfaces are sanded to begin the finishing process. Stain is applied and oven cured. A sealer coat is applied, oven cured and sanded. A high solids, top coat is applied. Each component is individually inspected prior to release from the finishing department. The conversion varnish topcoat is formulated to minimize the effects of ultraviolet on the finish.

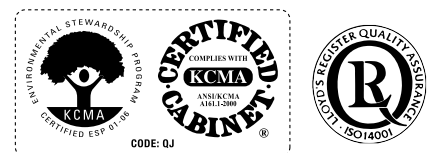
HIGHLIGHT GLAZING

Glaze applied to Seacrest2 and Harborview2 Birch doors and drawer fronts on cabinets. For a list of available Glaze/Finish options see page 4.

CERTIFIED CABINET AND FACILITY

QualityCabinets products carry the seal of the Kitchen Cabinet Manufacturers Association, meaning our cabinets exceed or meet the recommended minimum construction and performance standards outlined by the American National Standards Institute (ANSI/KCMA) Specification A161.1.

QualityCabinets is proud to demonstrate its commitment to environmental sustainability through the Environmental Stewardship Program certification, administered by the KCMA. All QualityCabinets facilities have also obtained ISO 14001 certificate of approval, demonstrating our commitment to reducing the impact of operations on the environment.



QualityCabinets reserves the right to change design, specifications and materials as improvements are developed and conditions require without being obligated to incorporate such changes into products of prior manufacture.

IMPORTANT PRODUCT ADVISORIES

FINISH

QualityCabinets Woodstar® Series uses finishes that protect and enhance the natural beauty of wood. Extra care is taken to assure a uniform finish. Because we are dedicated to customer satisfaction, we feel that it is important to explain some of the characteristics of QualityCabinets finishes on hardwood.

Like fingerprints, characteristic differences in color and grain are produced by nature in every tree. These variations are what create the beauty and interest found in the wood. The variations in color, grain and texture will cause variation in the finish, even though identical finishing processes are applied. These variations are considered a natural characteristic of hardwood and are not a defect. We hope that you will appreciate and enjoy this beauty.

BIRCH FINISHES

(listed in light to dark order)

Dawn -

Light translucent no-wipe stain that features the natural look of Birch. The stain color lightly blends the natural color range and grain variation of the wood. This finish contains noticeable grain and color variations.

Dawn/Mocha glaze-

Available in Birch glaze-able door styles only; Dawn finish is highlighted with a medium brown glaze.

Mirage -

Light-medium finish that blends color with the natural Birch characteristics. The finish process reduces the variation of wood colors and minimizes color contrast in the finished product. The natural wood grain and natural character continue to give the "real wood" look blended by the stain color.

Mirage/Mocha glaze-

Available in Birch glaze-able door styles only; Mirage finish is highlighted with a medium brown glaze.

Clove -

A rich, medium brown finish that draws out the grain characteristics of Birch. This finish contains some grain and color variations which adds to its beauty.

Clove/Licorice glaze-

Available in Birch glaze-able door styles only; Clove finish is highlighted with a deep brown glaze.

Cinnamon-

Rich, dark brownish-red stain. The full range of the wood color is blended to make a beautiful finish. Noticeable color variations in the grain are a characteristic that is highlighted by the hand-wiped stain. These characteristics are natural and exhibit the beauty of the Birch.

Cinnamon/Licorice glaze-

Available in Birch glaze-able door styles only. Cinnamon finish is highlighted with a deep brown glaze.

Twilight -

Dark semi-transparent finish lets just a hint of the Birch wood characteristics show through.

OAK FINISHES

Sunrise -

Light translucent finish that features the color range and grain patterns found in the natural wood. All variations in the wood are enhanced to create the warm natural look of the Sunrise finish. Noticeable grain and color variations are inherent characteristics of this finish.

Eventide -

Medium stain color. This finish features the bold look of the wood grain. The medium color blends many of the wood colors but allows the bolder variations of the natural wood color to create a beautiful finish.

MAPLE FINISHES

Natural -

Clear, colorless topcoat on unstained wood lets the Maple grain and characteristics shine through.

Cafe -

A rich medium brown finish that draws out the grain characteristics of Maple. This finish contains some grain and color variations which adds to its beauty.

Dulce -

Dark semi-transparent finish lets just a hint of the Maple wood characteristics show through.

LAMINATE FINISHES

Starlight -

Solid white thermofoil vinyl.

Natural -

Thermofoil vinyl that simulates natural Maple finish.

Cafe -

A rich, medium brown, Maple -look vinyl with simulated grain and color variation.

Dulce -

A dark, Maple-look vinyl with simulated grain pattern.

Manufacturer is not responsible for damage caused by improper humidity exposure after delivery to customer or contractor.

IMPORTANT PRODUCT ADVISORIES

<p>WARPING, CRACKING AND PROPER HUMIDITY</p> <p>Under normal conditions all wood products contain some moisture. QualityCabinets products are manufactured from wood or wood products that have been dried to an appropriate moisture content and have been inspected for warpage of 1/16” per lineal foot or less.</p> <p>Wood readily exchanges moisture with the water vapor in the atmosphere according to the existing relative humidity. Uncontrolled extremes (below 25% or above 55% relative humidity) can likely cause warping. In high humidity, wood picks up moisture and swells. In low relative humidity, wood releases moisture and shrinks.</p> <p>This subsequent dimensional change in wood is and always has been an inherent natural property of wood and wood products.</p> <p>Under normal conditions these changes will have little or no effect on your cabinets. However, care should be taken to protect cabinets from extreme conditions. These changes are not the responsibility of the manufacturer.</p> <p>WEIGHT LIMITATIONS FOR CABINETS</p> <p>QualityCabinets™ products are certified by the Kitchen Cabinet Manufacturers Association (KCMA) Cabinet Certification Program and meet or exceed the American National Standards Institute, ANSI</p>	<p>161.1 standards established for kitchen cabinets.</p> <p>Cabinet certification tests include loading all cabinet shelves with 15 pounds per square foot (not to exceed 45 lbs. per shelf) for a specified period of time.</p> <p>The time weighted loading is followed by an examination of the shelves and the joining of the cabinet for any evidence of movement or structural failure. QualityCabinets products meet or exceed these tests.</p> <p>INSTALLATION AND CABINET PERFORMANCE</p> <p>Cabinets must be set plumb for doors, drawers, and other components to function properly. Cabinets that are not plumb may experience doors or drawers that are uneven, crooked, or appear warped. These may be adjusted to improve appearance. However, if the cabinet is not plumb, uneven force is placed on the cabinet hardware, components and cabinet joints. Properly plumbed cabinets distribute forces evenly to the cabinet components and joining.</p> <p>Failure to properly plumb a cabinet will cause uneven distribution of force on cabinet hardware, components and cabinet joints, which can lead to premature wear, cracking and even joint failure.</p> <p>If a cabinet is installed on a wall or other surface that is not plumb, it is important that the cabinet be set plumb and that shims be used to fill any voids between the cabinet</p>	<p>and the wall, <u>at the point that the cabinet is fastened to the wall (soffit, ceiling or any other surface)</u>. Shims should be fitted before the fastener is tightened completely.</p> <p>This will ensure that the cabinet components and cabinet joints are not damaged or separated by tightening a fastener and forcing a cabinet component into a void between the cabinet and an uneven surface.</p> <p>Proper cabinet installation is very important for the operation of the cabinet, cabinet hardware, cabinet components, and any accessory that may be installed in the cabinet. Cabinet appearance, cabinet performance, hardware performance, accessory performance, and the expected life of all of the above may be significantly affected by proper or improper installation.</p> <p><i>Cabinets up to 18” wide:</i> Screw a top and bottom wall attachment screw into one wall stud and face frame to one adjacent cabinet.</p> <p><i>Cabinets 21” through 39” wide:</i> Screw top and bottom wall attachment screws into two wall studs and face frame to one adjacent cabinet.</p> <p><i>Cabinets 42” through 48” wide:</i> Screw top and bottom wall attachment screws into three wall studs or use wall anchors or toggle bolts if three wall studs are not present.</p>
--	--	--

WOOD CHARACTERISTICS NOTICE

QualityCabinets is proud to offer this attractive product. A single door may not show all the variances that are possible in a full kitchen. To avoid any misunderstanding, QualityCabinets urges all sales personnel to make sure the characteristics of the materials used are made clear to their buyers.

WOOD PRODUCTS

WARNING: This product contains chemicals known to the State of California to cause cancer.

MODIFICATIONS

<p>SPECIAL DEPTH CABINETS:</p> <p>WALL CABINETS 6", 9", 15", 18", 21" & 24" Note: Increase to 24" depth option is not available on walls where an equivalent wall refrigerator (WR) size exists.</p> <p>BOOKCASE CABINETS 6", 9", 15", 18", 21" & 24"</p> <p>BASE CABINETS 12"*, 15"*, 18" and 21" (12" & 15" deep base or vanity cabinets do not have drawers and drawer stacks are not offered in 12" and 15" reduced depths)</p> <p>TALL CABINETS 9", 15" & 18"</p> <p>UB CABINETS 18", 21" with drawers 12", 15", 18" and 21" with full-height doors</p> <p>VANITY CABINETS: 12", 15" (12" & 15" deep base or vanity cabinets do not have drawers and drawer stacks are not offered in 12" and 15" reduced depths)</p> <p>*Not all wall, base, vanity, universal and tall cabinets can be made in special depths. Contact your Customer Service Representative for exceptions.</p> <p>NOTES</p> <ul style="list-style-type: none"> • All special depth wall cabinets will be built with standard adjustable shelving. For example, if the standard wall cabinet comes with an adjustable shelf (or shelves) then the special depth order will be produced with an adjustable shelf (or shelves). • All special depth base cabinets will be built with standard adjustable shelving. For example, if the standard base cabinet comes with an adjustable shelf then the special depth order will be produced with an adjustable shelf. • All special depth Utility cabinets will be built with standard adjustable shelving in the upper section. For example, if the standard Utility cabinet comes with an adjustable shelf (or shelves) in the upper section then the special depth order will be produced with an adjustable shelf (or shelves) in the upper section. 	<p>PARTIAL CABINET OPTIONS:</p> <p>CABINET FRONTS ONLY (CFO) AVAILABLE IN STANDARD WALL, BASE, VANITY, AND TALL SIZES Cabinet fronts are not available in all cabinets. Contact our Customer Service Department before ordering.</p> <p>CASE ONLY (CSO)*</p> <p>WALLS</p> <ul style="list-style-type: none"> • Includes shelves (if applicable) • Interior and shelves are natural Maple laminate or Starlight • No doors or hinges <p>BASES, Vanities, tall, universal</p> <ul style="list-style-type: none"> • Includes cabinet box only • Does not include: doors, drawer fronts, drawer cores, hinges, shelves, trays, guides, etc. • Interior of cabinet case is natural Maple laminate or Starlight <p>CASE ONLY</p> <ul style="list-style-type: none"> • Case only option is not available in all cabinets. Contact your Customer Service representative for exceptions <p>FRAME ONLY (FRM)*</p> <ul style="list-style-type: none"> • Face frame only • Does not include doors, drawer fronts, hinges • Available in standard wall, base, vanity, universal and tall sizes • Cabinet face frames are not available in all cabinets. Contact your Customer Service representative for exceptions <p>* NOTE: See www.qualitycabinets.com/quality-pros for CASE ONLY and FRAME ONLY pricing.</p>
<p>CONSTRUCTION OPTIONS: SSS = Standard Construction SDS = Standard Ends, Dovetail Drawers, Standard Shelves SRS = Standard Ends, Rabbeted Drawers, Standard Shelves</p> <p>DOVETAIL DRAWER OPTION (SDS)</p> <ul style="list-style-type: none"> • Undermount full extension drawer glide system with soft close • 3/4" solid hardwood sides – nominal 1/8" plywood bottom <p>RABBETED DRAWER OPTION (SRS)</p> <ul style="list-style-type: none"> • Sidemount 3/4 extension drawer glides • 5/8" solid hardwood sides with rabbeted joints, nominal 1/8" plywood bottom 	<p>CARTONING:</p> <ul style="list-style-type: none"> • Select door styles and/or finishes are available face wrap • Not all cabinets are available face wrap • Contact your Customer Service representative for details

ONE-YEAR LIMITED WARRANTY

Masco Cabinetry LLC, is proud of our products and stand behind our quality and workmanship.

As with other natural materials, wood is affected by environmental factors such as natural and artificial lighting, moisture and relative humidity. Darkening or mellowing of the wood can be expected and is a natural part of wood as it ages. Each wood specie also exhibits its own distinctive patterns and characteristics that add to its natural beauty. These variations in color and characteristics are not considered imperfections or defects. This warranty does not cover the natural aging and darkening of wood color, nor does it apply to the inherent growth characteristics of wood. Please review and abide by all storage and installation instructions.

WARRANTY PERFORMANCE

Should any of the Products prove defective or deficient under normal use during the period of one year from date of purchase from an authorized dealer; the defective parts will at our option either be repaired or replaced. In keeping with our continuous product improvement policy, we reserve the right to replace defective parts with parts of equal or greater value.

WARRANTY COVERAGE

Woodstar® cabinets, manufactured and assembled by Masco Cabinetry LLC and purchased from an authorized dealer ("Products"), are warranted to the original purchasing consumer for a period of ONE YEAR from the date of purchase against defective materials or workmanship. This warranty is not transferable.

This warranty does not cover removal, installation, labor or transportation costs to Masco Cabinetry LLC of the defective Products. Nor does this warranty cover any product used or installed in connection with the cabinets or cabinetwork, such as plumbing fixtures, gas or electrical appliances, or countertops. We shall provide for the cost of the return shipment of repaired or replacement Products to the consumer, if deemed necessary. This warranty does not apply to damages or defects related to improper handling, storage, misuse, alterations, installation or Product used for any purpose other than normal use. Slight color variations for repair or replacement parts and color variations that may occur over time are not considered defects or deficiencies under this warranty.

TO THE EXTENT PERMITTED BY LAW, MASCO CABINETRY LLC SHALL NOT BE LIABLE FOR LOSS OF USE OF THE PRODUCTS, CONSEQUENTIAL, INDIRECT OR INCIDENTAL DAMAGES RESULTING FROM THE USE, INSTALLATION, PERFORMANCE OR FAILURE OF ANY PRODUCTS. Some provinces and some states do not allow the exclusion or limitation of incidental or consequential damages, so the above limitation or exclusion may not apply to you.

TO THE EXTENT PERMITTED BY LAW, ANY IMPLIED WARRANTIES, INCLUDING THE IMPLIED WARRANTIES OF MERCHANTABILITY AND OF FITNESS FOR A PARTICULAR PURPOSE, ARE LIMITED TO THE DURATION OF THIS EXPRESS WARRANTY. Some provinces and some states do not allow limitations on how long an implied warranty lasts, so the above limitation may not apply to you.

This warranty gives you specific legal rights, and you may also have other rights that vary from state to state and from province to province.

WARRANTY CLAIMS

To submit a warranty claim, please write a letter explaining the defect with a copy of your proof of purchase to:

QualityCabinets
Warranty Department
P.O. Box 1946
Adrian, MI 49221

Masco Cabinetry LLC is not responsible for merchandise returned to it without proper written authorization from us.

DeNova Beginnings® RESIDENTIAL 1 YEAR LIMITED WARRANTY

DeNova Beginnings® COUNTERTOP LIMITED WARRANTY

Masco Cabinetry warrants to the original consumer purchaser that our DeNova Beginnings® Countertops will be free from defects in material and workmanship under normal use for a period of ONE (1) YEAR from the date of purchase. This limited warranty is not transferable. No changes or modifications can be made to this warranty except by an officer of Masco Cabinetry.

DeNova Beginnings® Natural Granite and Marble Countertops are created by nature with their own distinctive patterns and characteristics. Exact color match to store samples at point of purchase cannot be guaranteed. This warranty does not cover the natural characteristics of stone, which include but are not limited to, color variations, surface marks and blemishes.

WARRANTY REQUIREMENTS

To be eligible for this warranty, you must

- purchase the countertop from an authorized DeNova countertop supplier for your own personal use;
- have it installed for indoor use as a horizontal countertop according to the DeNova Beginnings® Installation Guide;
- maintain the countertop in accordance with the DeNova Care and Maintenance Guide; and
- not remove the countertop after its original installation.

Additional copies of the Care and Maintenance Guide or Installation Guide may be requested by calling Customer Care at 866-850-8557 or visiting www.Denovasurfaces.com.

HOW TO GET SERVICE

To obtain performance under this warranty, you must contact the DeNova supplier and report, in writing, all defects claimed. If you purchased at a retailer, you must provide the original retail sales or other documentation acceptable to Masco Cabinetry. If you have difficulty obtaining assistance, write to DeNova Warranty Department, Masco Cabinetry, P.O. Box 1946, Adrian, Michigan 49221.

MANUFACTURER'S OBLIGATION UNDER WARRANTY

Masco Cabinetry may elect to repair or to replace any defective DeNova product covered by our warranty. Our warranty does not cover defects caused by misuse, abuse, negligence, alterations, outdoor use, commercial use, or improper installation, storage and handling, or failure to follow the DeNova Care and Maintenance Guide. "Commercial use" includes, but is not limited to, use in an apartment, store, office or other place of business. The visibility of any seams and seam failure due to settling or structural issues is not covered.

THIS WARRANTY EXCLUDES ANY INCIDENTAL OR CONSEQUENTIAL DAMAGES SUCH AS THE COST OF LABOR OR OTHER COSTS OF REMOVAL OR INSTALLATION. Some provinces and some states do not allow the exclusion or limitation of incidental or consequential damages so the above limitation or exclusion may not apply to you.

From time to time, we will change design, specifications and materials as conditions require and improvements are developed, but we have no obligation to incorporate such changes in products we previously manufactured.

TO THE EXTENT PERMITTED BY LAW, ANY IMPLIED WARRANTIES, INCLUDING THE IMPLIED WARRANTIES OF MERCHANTABILITY AND FITNESS FOR A PARTICULAR PURPOSE, ARE LIMITED TO THE DURATION OF THIS EXPRESS WARRANTY. Some provinces and states do not allow limitations on how long an implied warranty lasts, so the above limitation may not apply to you. This warranty gives you specific legal rights, and you may also have other rights which vary from state to state and from province to province.

12/10



PRODUCT CODE ABBREVIATIONS AND INDEX

PRODUCT CODE	DESCRIPTION	PAGE	PRODUCT CODE	DESCRIPTION	PAGE
ACM	Angle Crown Molding	27	REPF	Refrigerator End Panel	29
B	Base Cabinet	14	ROT	Roll-Out Tray Kit	30
BACKPLUG	Back Plugs	34	SHO	Shoe Molding	27
BBC	Base Blind Corner	16	SB	Sink Base	17
BBPF	Base Blind Panel with Filler	28	SBA	Sink Base Angle	17
BCA	Base Corner Angle	16	SD	Sales Sample Door	32
BCFS	Base Corner Fixed Shelf	16	SFA	Sink Front Angle	17
BCRB	Base Corner Revolving Builder	16	SFB	Sink Front Bottom	17
BD -3D	Base Three Drawer	15	SFDB	Sink Front Diagonal Bottom	17
BD -4D	Base Four Drawer	15	SFEP	Sink Front End Panel	28
BEP34P	Base End Panel	28	SM	Scribe Molding	26
BEPF	Base End Panel Filler	28	TEP	Tall End Panel	28
BK	Bookcase	13	TF	Tall Filler	31
BLS	Base Lazy Susan	16	TKCL	Toekick Cover	32
BS	Base Shelving	29	TKCUL	Toekick Cover Universal	32
BSOS	Base Swing Out Shelves	30	TP	Touch-up Pen	34
BTK	Base and Vanity Tray Kit	31	TUK	Touch-up Kit	34
BWBFMK	Base Wastebasket Floor Mount Kit	30	U	Utility Cabinets	19
BWBT	Base Wastebasket Top Mount	15, 30	UB	Universal Base	18
BWBTA	Base Wastebasket Top Mount Assembly	30	UBD	Universal Base Drawer	18
CCK	Cabinet Care Kit	34	UBLS	Universal Base Lazy Susan	18
CCM	Classic Crown Molding	27	UBSF	Universal Base Sink Front	18
CCPC	Cabinet Cleaning and Polishing Cloth	34	UF	Utility Front	19
CDC	Cabinet Dusting Cloth	34	USFCK	Universal Sink Front Cabinet Kit	19
CDI	Cutlery Drawer Insert	30	USK	Utility Shelf Kit	29
CFTK	Corner Filler Toekick	32	UTK	Utility Tray Kit	31
CM	Crown Molding	26	V	Valance	31
CSM	Crown Soffit Molding	26	VB	Vanity Base Full-Height	21
CTR	Countertop Molding	27	VCD	Vanity Combination	22
CTSB	Countertop Support Bracket	30	VD	Vanity Drawer	23
DEP	Desk End Panel	29	VF	Vanity Front Samples	32
DKDDT	Desk Knee Drawer Deep Trimmable	23	VLC	Vanity Linen Cabinet	19
DKDT	Desk Knee Drawer Trimmable	23	VLSK	Vanity Linen Shelf Kit	29
DOCK	Double Oven Cabinet Kit	20	VSF	Vanity Sink Base	21 - 23
FS	Fill Stick	34	VT	DeNova Beginnings® Vanity Tops	24
ICM	Inside Corner Molding	26	VTK	Vanity Tray Kit	31
INSTALL	Installation Screws	34	VWB	Vanity Wall Boutique	24
LS2	Lazy Susan Shelf Kit	31	VWR	Vanity Wall Recessed	24
MBU	Molding Build-Up Strip	27	W	Wall Cabinets	6 - 12
NBM	Narrow Batton Molding	26	WA	Wall Angle	6
OCSP	Oven Cabinet Support Platform	20	WBC	Wall Blind Corner	6
OCU	Oven Cabinet Universal	20	WBPF	Wall Blind Panel with Filler	28
ODK	Oven Drawer Kit	20	WCA	Wall Corner Angle	6, 7, 9
OSC	Outside Corner Molding	26	WCC	Wall Corner Closure	32
PB	Peninsula Base	15	WCD	Wall China Display	12
PB	Panel Backer	28	WEP	Wall End Panel	28
PWA	Peninsula Wall Angle	8	WF	Wall Filler	31
PW	Peninsula Wall	9 - 11	WFC	Wall Filler Corner	32
QCST	Quart of Clear Sealer Topcoat	34	WL	Wall Lattice	12
QR	Quarter Round Molding	26	WMSC	Wall Microwave Shelf Cabinet	12
QST	Quart of Stain	34	WR	Wall Refrigerator	8, 10 - 12
			WSM	Wide Scribe Molding	26